

TU-S55X

OPERATING INSTRUCTIONS
MODE D'EMPLOI
BETRIEBSANLEITUNG
MANUAL DE INSTRUCCIONES
ISTRUZIONI PER L'USO



Sansui

WARNING: To prevent fire or shock hazard, do not expose this appliance to rain or moisture.

- The Model No. and Serial No. of your unit are shown on its back panel.
- Do not lose the Warranty Card that carries your unit's Model No. and Serial No.

ATTENTION: Pour éviter les dangers d'électrocution ou d'incendie, ne pas exposer cet appareil à la pluie ou à l'humidité.

- Le numéro du modèle et le numéro de série de l'appareil sont inscrits sur son panneau arrière.
- Ne perdez pas la carte de garantie où est indiquée le numéro du modèle et le numéro dans la série du type de l'appareil.

WARNUNG: Setzen Sie dieses Gerät zur Verhütung von Feuer- und Stromschlaggefahr weder Regen noch Feuchtigkeit aus.

- Die Modell- und die Seriennummer Ihres Gerätes sind auf der Geräterückseite angegeben.
- Verlieren Sie bitte nicht den Garantieschein, auf dem die Modell- und die Seriennummer dieser Einheit angegeben sind.

AVISO: Para evitar incendios y descargas eléctricas, no exponer este aparato a la lluvia ni a la humedad.

- El N.O de modelo y el N.O de serie de este aparato están impresos en el panel posterior.
- No extraviar la tarjeta de garantía que tiene el N.O de modelo y el N.O de serie del aparato.

ATTENZIONE: Per evitare pericoli d'incendio e scosse non esporre l'apparecchio alla pioggia e all'umidità.

- Il numero del modello e quello di serie dell'apparecchio si trovano sul pannello posteriore.
- Non perdere la Garanzia col numero del modello e di serie.

ENGLISH

Precautions.....	3
Specifications	3
Connections	4
Panel information	6
Operating procedures.....	7
Some useful hints	8

3~8

FRANÇAIS

Précautions.....	9
Spécifications	9
Connexions.....	10
Indications sur le panneau	12
Procédés de réglage.....	13
Quelques conseils utiles	14

9~14

DEUTSCH

Vorsichtsmaßnahmen.....	15
Technische Daten.....	15
Anschlüsse	16
Schalttafelinformation	18
Bedienungsverfahren.....	19
Einige nützliche Hinweise	20

15~20

ESPAÑOL

Precauciones	21
Especificaciones	21
Conexiones.....	22
Controles y funciones	24
Instrucciones de manejo.....	25
Algunos consejos útiles.....	26

21~26

ITALIANO

Precauzioni	27
Dati tecnici.....	27
Collegamenti.....	28
Indicazioni sul pannello	30
Procedure per il funzionamento	31
Qualche consiglio utile	32

27~32

We are grateful for your choice of this Sansui high fidelity product. Before you operate it, we suggest that you read this booklet once through carefully, familiarizing yourself with the important precautions, operational procedures and every one of the product's many features. It will help to ensure that you will avoid possible damage and that the product's superb performance will be yours to enjoy for many years to come.

Precautions

* Bear in mind the following points.

Power plug

When disconnecting the power cord from the power outlet, always take hold of the plug, and not the wire, and pull free. Never connect or disconnect the power plug with wet hands since you may receive an electric shock.

* Remember to disconnect the power plug from the power outlet when you do not intend to use the unit for a prolonged period of time.

Do not remove the case and bottom panel

Any inspections or adjustments inside the unit may lead to malfunctions and electric shocks. Do not touch any of the inside parts. SANSUI's warranty is not effective if a deterioration in the unit's performance results from remodeling inside.

Installation precautions

Do not install the unit in any of the following locations since this may result in a deterioration in performance or malfunction:

- * Locations exposed to direct sunlight or near objects radiating heat such as heating appliances
- * Locations exposed to moisture or humidity
- * Locations with poor ventilation exposed to dust and dirt
- * Locations which are unstable and not perfectly flat or which are susceptible to vibration
- * On top of a high power output amplifier, audio components or any other product which radiates heat.

Do not wipe with thinners

Wipe the panels and case from time to time with a soft cloth. Using any kind of thinner, alcohol or volatile liquid will mar the surface, cause blotching on the exterior and erase the markings and should therefore be avoided.

Do not use insecticide sprays in the vicinity.

Specifications

FM Section

Tuning range	88 to 108 MHz
Usable sensitivity	
Mono IHF	10.8 dBf (1.9 μ V : T100)
DIN	0.95 μ V
50 dB quieting sensitivity	
Mono	16.0 dBf
Stereo	36.0 dBf
Signal to noise ratio at 65 dBf	
Mono	85 dB
Stereo	79 dB
Distortion at 65 dBf	
Mono	less than 0.05% at 1,000 Hz
Stereo	less than 0.08% at 1,000 Hz
Alternate channel selectivity (at 400 kHz)	
.....	60 dB
Capture ratio	1.0 dB
Image response ratio	75 dB
Spurious response ratio	90 dB
Stereo separation	40 dB at 100 Hz
	50 dB at 1,000 Hz
	40 dB at 10,000 Hz
Frequency response	
Stereo	30 to 15,000 Hz
	+0.3 dB, -0.8 dB
Antenna input impedance.....	300 ohms balanced
	75 ohms unbalanced

AM Section

Tuning range	530 to 1,600 kHz
Usable sensitivity	50 dB/m (316 μ V/m)
Signal to noise ratio	50 dB
Image response ratio	45 dB at 1,000 kHz

Others

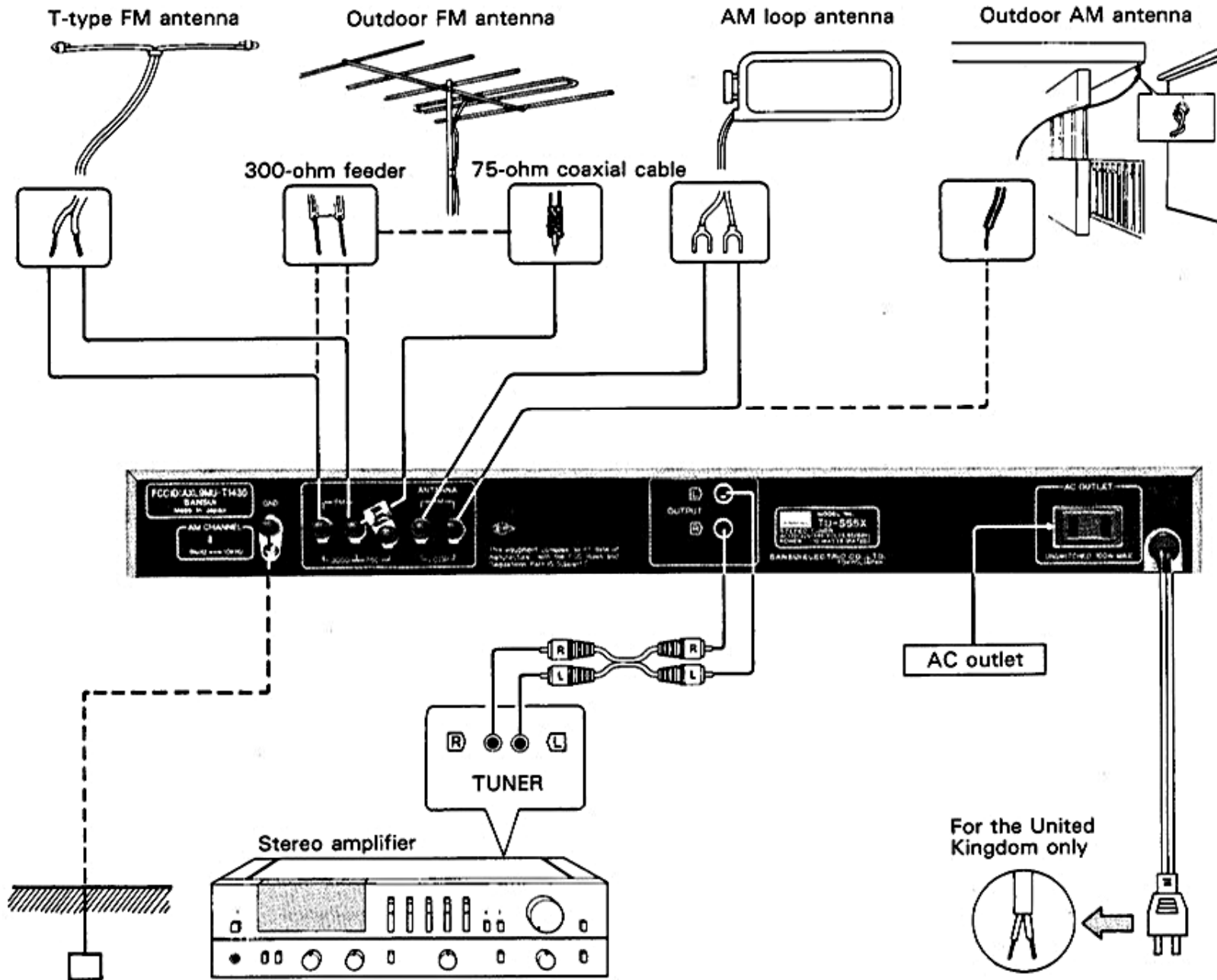
Output voltage and impedance	775 mV/2.2 kilohms
Power requirements.....	120/220/240V
	50/60 Hz
For U.S.A. and Canada	120V (60 Hz)
Power consumption.....	12W
Dimensions	430 mm (16-15/16'')W
	51 mm (2-1/16'')H
	261 mm (10-5/16'')D
Weight.....	2.8 kg (6.2 lbs) net
	3.6 kg (7.9 lbs) packed

- * Design and specifications subject to change without notice for improvements.
- * In order to simplify the explanation illustrations may sometimes differ from the originals.

Connections

* Mains plug may vary to some extent depending on sales area, local laws and regulations.

ENGLISH



Connection precautions

- * When connecting, either disconnect the power plug from the power outlet or turn off the unit's power using the POWER switch.
- * Insert the plugs securely. Improper connection can lead to the generation of noise.
- * Allowing the lead-in wire of the connected antenna to come into contact with other parts or connecting it improperly may lead to poor reception and noise generation.

Connection with stereo amplifier

Connect the OUTPUT terminals of the unit to the stereo amplifier's TUNER terminals by the accessory pin plug cord. Ascertain the left/right channels and connect them (L to L, R to R) properly. Also, the insertion of the unit's power plug to the amplifier's AC outlet (SWITCHED) will be useful.

For the United Kingdom only

Important

The wires in this mains lead are coloured in accordance with the following code:

Blue: Neutral
Brown: Live

If the colours of the wires in the mains lead of this equipment should not correspond to the coloured markings identifying the terminals in your plug, proceed as follows:

The wire which is coloured **blue** must be connected to the terminal which is marked with the letter 'N' or coloured black.

The wire which is coloured **brown** must be connected to the terminal which is marked with the letter 'L' or coloured red.

Ensure that your equipment is connected correctly. If you are in any doubt, consult a qualified electrician.

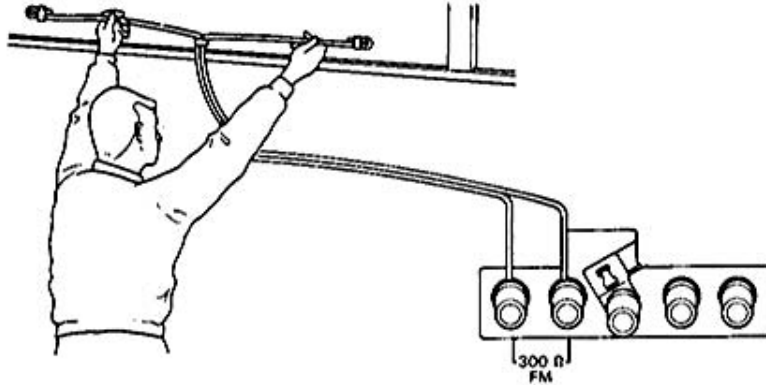
For equipment purchased outside the U.K. with a "EUROPEAN" two-pin mains plug, the plug should be removed and connections made in accordance with the above instructions. Ensure also that the equipment is properly adjusted to 240 volts operation. If you are in any doubt, consult a qualified electrician, or our Service Agent in the U.K.

FM antenna connection

Erect an outdoor FM antenna for good FM reception with the minimum of noise. The accessory T-type antenna is provided as a stopgap to allow FM reception until you erect the outdoor FM antenna.

Connecting the T-type antenna

Connect the antenna to the FM 300-ohm antenna terminals, spread the two ends in the shape of the letter "T," find the direction which yields the best reception and secure the antenna to the ceiling or wall. Secure it as high as possible. Reception is unstable if the antenna is installed in a low position or where people are passing by all the time.



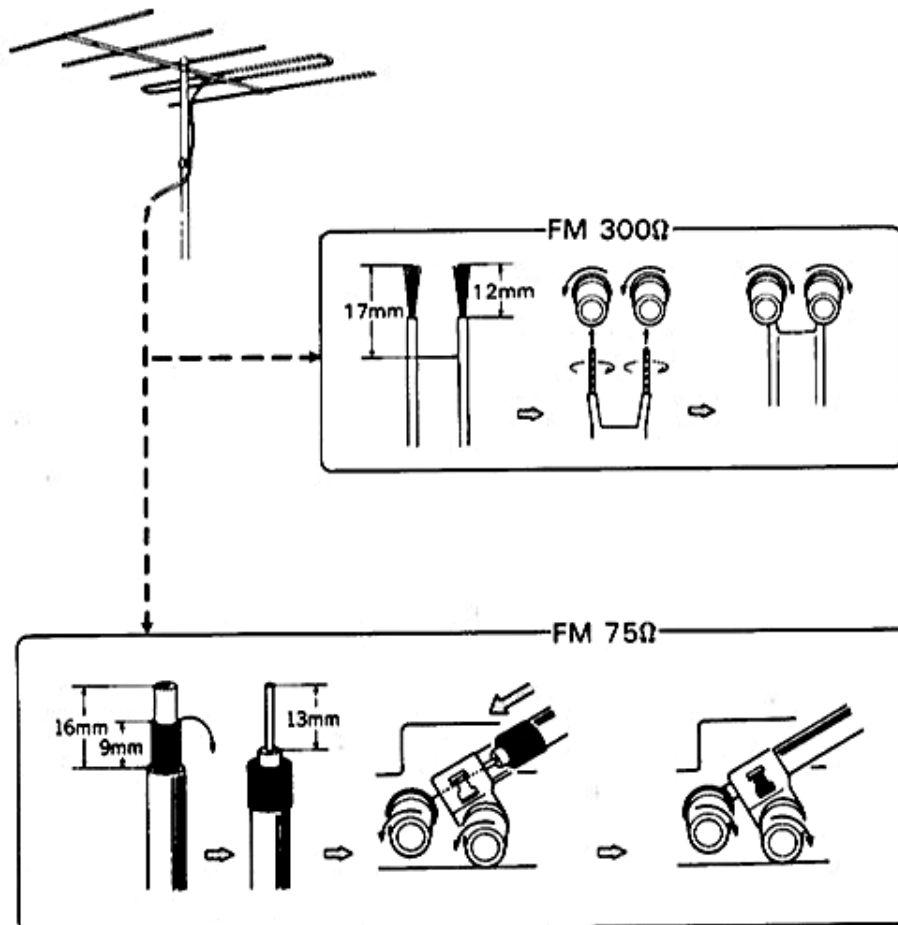
- * Take down the T-type antenna when you have connected the outdoor FM antenna.

Connecting the outdoor FM antenna

There are two types of lead-in wires for connecting the tuner with the outdoor antenna: 75-ohm coaxial cable and 300-ohm feeder.

75-ohm coaxial cable connection: Strip and shape the ends of the coaxial cable as in the figure and connect them to the FM 75-ohm antenna terminals.

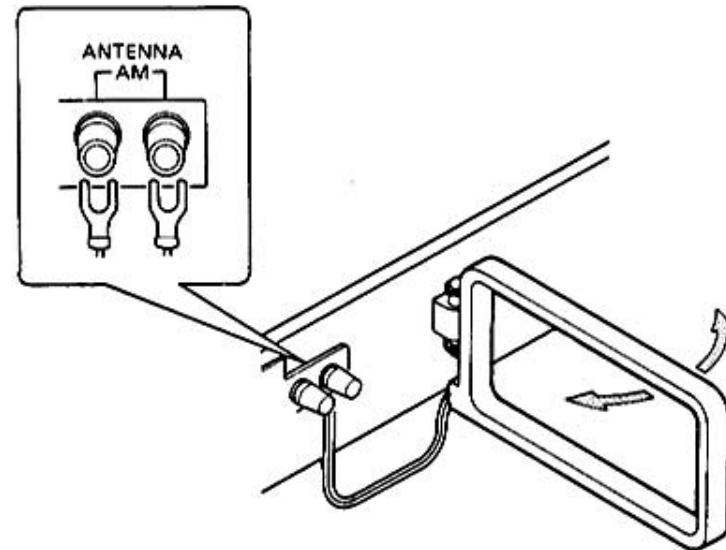
300-ohm feeder connection: Strip and shape the ends of the feeder as in the figure and connect them to the FM 300-ohm antenna terminals.



- * Keep the lead-in wire at a distance from power cords and lights. Any excess wire should not be bundled up but cut.

AM loop antenna connection

Connect the cord of the accessory AM loop antenna to the AM LOOP ANTENNA terminals on the rear panel of the unit and attach the antenna to the antenna holder as shown in the figure. Move the antenna to find the position for best reception.



- * AM reception is not possible with the loop antenna detached. Even if an outdoor AM antenna is erected, keep this loop antenna in place.
- * Do not bring the power cord or the speaker cords near the loop antenna since noise will be generated.
- * Reception may be unstable if the loop antenna is installed very close to the wall. Install the antenna away from the wall.

AM channel plans

AM programs are being broadcast under channel plans which, depending on the broadcasting area in the world, are characterized by different channels (frequency intervals) between broadcasting stations. In North, Central and South America, this channel is 10 kHz whereas in the rest of the world, it is 9 kHz.

Your unit is a synthesizer tuner which varies the reception frequency at each 9 kHz or 10 kHz channel (frequency interval) during reception. If you use your unit in an area with a different channel plan, you may not be able to receive AM stations. The unit you have purchased has been adjusted to the channel in your area. It is therefore necessary to change over the channel setting if you move to an area with a different channel plan.

1. Disconnect the power supply of the unit.
2. Slide the AM CHANNEL selector switch, located at the rear panel of the unit, to the proper position.

- * Make inquiries at your dealer or nearest Authorized Sansui Service Station if your unit is not provided with an AM CHANNEL selector switch.

CAUTION: Depending on the sales area, your unit may or may not be provided with an AM CHANNEL selector switch.

AC OUTLET

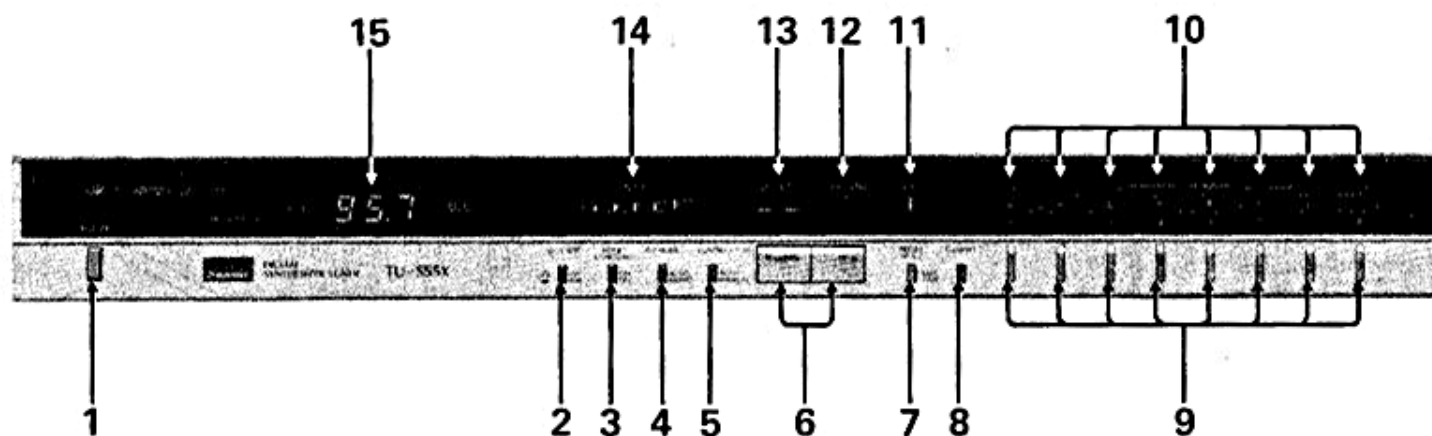
Power is supplied to the AC OUTLET on the rear panel when the power cord is connected to a household AC outlet.

- * The maximum capacity of this outlet is 100 watts. Connecting an electrical appliance with a power consumption exceeding this rating is extremely dangerous. Check the rating before connection.

NOTE: Depending on the laws and regulation enforced locally, models without AC outlets may be supplied to some areas. Also, depending on the sales area, the shape of the AC outlets and their capacity may differ.

Panel information

* The photos and illustrations show a unit with a silver panel.



1 POWER Switch

When this switch is depressed, power is supplied to the unit; when depressed again, the power is turned off.

2 SELECTOR Switch

This selects between the FM and AM broadcast bands. The FM released position is for FM reception and the AM depressed position for AM reception.

3 NOISE CANCELER Switch

When an FM stereo broadcast is tuned in, reception may be unpleasant because of the noise from high frequencies. Set this switch to ON, and a great deal of noise will be eliminated. In this case, however, the left/right separation of the stereo may be slightly affected. When the noise is not disturbing, set this switch to OFF.

* This switch does not work in case of AM or FM mono broadcast.

4 FM MODE Switch

This switch switches between the AUTO and MONO FM reception modes and between FM muting circuit ON/OFF.

The switch is normally kept at AUTO. In this position, FM broadcasts are heard in stereo and FM mono broadcasts in mono. Also, the muting circuit is activated to cut the annoying interstation noise and make the tuning operation pleasant.

Set the switch to the depressed MONO position when listening to a stereo broadcast in mono or when picking up an FM broadcast with weak signals which are cut out with the noise by the muting circuit.

5 TUNING Mode Switch

This selects the tuning mode at the time of tuning in a broadcast. Set this switch to AUTO for Auto tuning, and set it to MANUAL for Manual tuning, or for weak signals.

6 TUNING Buttons

Station frequencies are tuned in by depressing these buttons during the tuning operation.

Depending on the setting of the TUNING mode switch, stations can be picked up either in the auto or manual mode.

Auto tuning: When the TUNING mode switch is set to AUTO, tuning becomes automatic.

When the UP button is depressed, reception frequency is increased and when DOWN button is depressed it is decreased. Auto tuning starts when the button is depressed and stops as soon as a station is picked up.

Manual tuning: When the TUNING mode switch is set to MANUAL, tuning becomes manual.

Every time the UP button is depressed, the reception frequency is increased by 100 kHz for FM and 10 kHz or 9 kHz for AM (depending on the sales area it has been adjusted to one of the two). The reception frequency increases when the button is pressed continuously and stops when the finger is removed from the button.

When the DOWN button is depressed, reception frequency decreases in a similar way.

7 PRESET SCAN Switch

This switch consecutively monitors the stations preset in (1) ~ (8) of the PRESET STATION switches.

When depressed, this switch recalls the stations previously preset in the PRESET STATION switches, each at an interval of 4 seconds, following the order (1)→(2)→(3)→... (8)→(1)→(2), allowing you to monitor the broadcast programs. If this switch is depressed again, the preset scanning function is released and stops at the station presently being monitored.

8 MEMORY Switch

When you wish to use the PRESET STATION switch to preset a station presently playing, depress the PRESET STATION switch while the MEMORY switch is held in the depressed position, and the station will be memorized.

The MEMORY indicator appears on the FREQUENCY display when this switch is depressed.

9 PRESET STATION Switches

One AM and one FM station each can be memorized (preset) in each of these switches (and selected with the SELECTOR switch). Once a station has been preset, all you have to do to recall it is just depress the corresponding PRESET STATION switch.

10 PRESET STATION Indicators

The indicator corresponding to the PRESET STATION switch lights during the preset scanning operation or when a station is tuned in by depressing the PRESET STATION switch.

11 SCAN Indicator

This indicator lights during the preset scanning operation.

12 FM STEREO Indicator

When the FM MODE switch is at AUTO and an FM stereo broadcast is tuned in, this indicator lights to show that the broadcast is being received in stereo.

When the FM MODE switch is at MONO, the indicator does not light even if the program is broadcast in stereo.

13 LOCKED Indicator

At the time of tuning a station, this indicator lights and locks a station when in the station's frequency is tuned into its optimum tuning point. This enables the best reception.

However, this indicator may not light if the station's signal is weak and the input from the antenna is insufficient.

14 SIGNAL Indicator

When a station has been tuned in, this indicator lights to indicate the strength of the signals picked up by the antenna.

15 FREQUENCY Display

Reception frequency is indicated by digital display.

FM broadcast is displayed in MHz unit and AM broadcast is in kHz unit.

Operating procedures

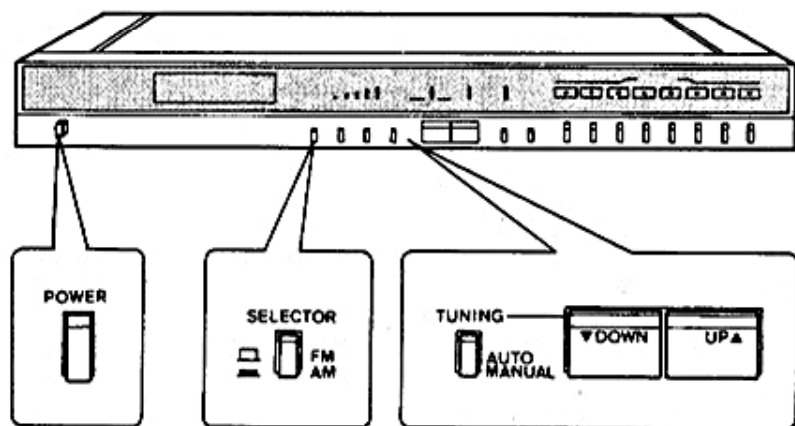
Basic operation

1. Depress the POWER switch to turn on the unit's power.
2. Select the band (FM or AM) using the SELECTOR switch. Set this switch to the FM released position for FM reception and to the AM depressed position for AM reception.
3. Depress the TUNING buttons to tune in the station.

Auto tuning: Set the TUNING mode switch to AUTO. Tuning begins automatically when the UP or DOWN button is depressed and automatically stops when a station is picked up. If this is not the desired station, depress the button again to resume tuning. Repeat the operation until the desired station is picked up.

Manual tuning: Stations with weak signals may not be tuned in automatically. In this case, perform the tuning manually. Set the TUNING mode switch to MANUAL. Depress the UP or DOWN tuning button continuously while watching the reception frequency indicated in the FREQUENCY display and tune into the exact frequency by pushing the button once at a time when the station of your choice approaches.

4. Adjust the volume and tone quality using the controls on the stereo amplifier.

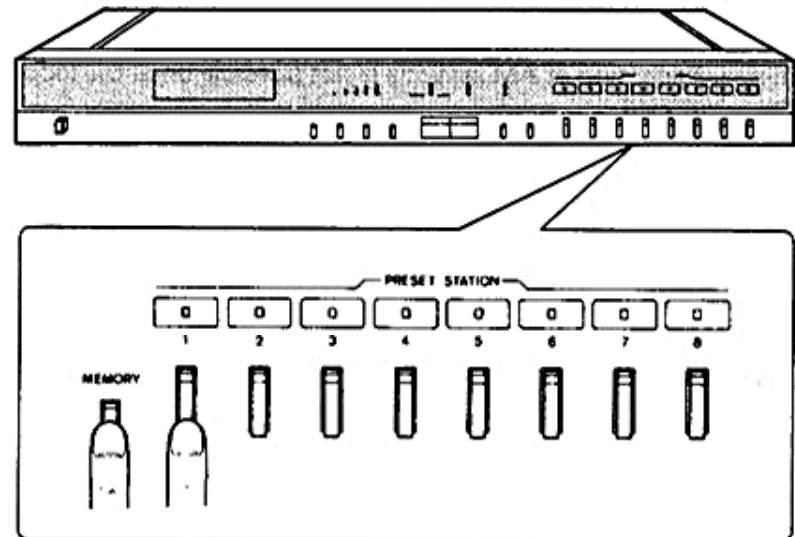


- * FM STEREO indicator lights when FM stereo broadcast is tuned in.
- * When a station is tuned in, the SIGNAL indicator lights and strength of the signal is indicated. LOCKED indicator lights to show that the station has been locked. However, the LOCKED indicator may not light in case of the stations whose signals are weak.
- * Auto tuning will not stop until a station has been tuned in. To suspend the operation, depress the TUNING mode switch.
- * If the FM MODE switch is set to AUTO when an FM station with weak signals is received, there may be no sound because the FM muting circuit has been activated. In cases like this, depress the FM MODE switch to the MONO position and listen to the program in mono.

Presetting stations

You can recall stations whose programs you listen to frequently with a push of a switch if you preset the frequencies of the stations beforehand in the PRESET STATION switches.

1. Tune in the station which is to be preset following steps 1 ~ 3 in the basic operation.
2. When the PRESET STATION switch is depressed with the MEMORY switch already in the depressed position, the PRESET STATION indicator above the switch lights and the station tuned in is now preset. This completes the operation.



- * When a different station is preset into a PRESET STATION switch already containing a frequency, the previously preset station is erased.
- * Each PRESET STATION switch can preset one AM station and one FM station. Select the AM or FM band using the SELECTOR switch.
- * Preset stations will not be erased even if the power supply is cut off.
- * This unit features a last station memory function which stores the station which was heard before the power was switched off. This function serves to automatically receive the same station when the power is switched on again.

Preset scan function

This is a very useful function that enables the consecutive monitoring of programs of the stations preset in the PRESET STATION switches beforehand.

If PRESET SCAN switch is depressed during the reception of a broadcast, the scan indicator lights up and the preset stations will be picked up automatically at an interval of 4 seconds, following the order (1)→(2)→(3)→... (8)→(1)→(2). In this case, the PRESET STATION indicators light up in sequence.

Thus, your desired station can be selected while monitoring the contents of each station's program. When you find the program you wish to listen to, push the PRESET SCAN switch again to receive that station's broadcast. FM preset stations are scanned during FM broadcast reception and AM preset stations are scanned during AM broadcast reception.

Some useful hints

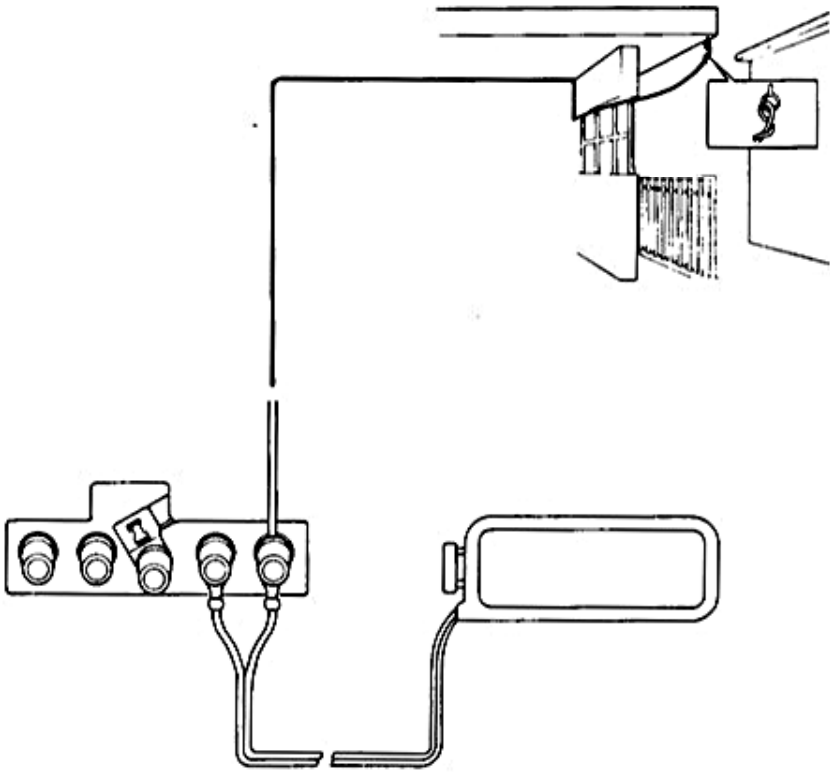
Outdoor AM antenna

When the signals of an AM station received are weak, the sound is crowded out by other broadcast stations and noise is heard. In particular, the signals are weaker indoors than outdoors while noise can also be picked up from other electrical appliances. In cases like this, proceed as follows:

1. Move the loop antenna and find the position which yields the best reception.
2. Place the power cord and speaker cords away from the loop antenna.
3. Try changing the installation location.

If the reception is still not improved, twist a vinyl-covered conductor and the loop antenna conductor together and connect one end to the AM LOOP antenna terminals and extend the other end outdoors.

- * Keep the loop antenna attached even when erecting an outdoor AM antenna. Reception of AM stations is not possible once the loop antenna is removed.



Outdoor FM antenna and lead-in wire

Outdoor FM antennas and directivity

An outdoor FM antenna should be erected for quality FM reception with the minimum of noise. This is particularly effective for FM reception in areas surrounded by high buildings or mountains.

FM antennas have directivity whose sharpness increases as the number of antenna elements is raised. Since they function to receive the signals coming from a desired direction and do not easily pick up the signals coming from other directions, the multipath distortion is reduced. The gain (sensitivity) also increases in direct proportion to the number of elements and so this is effective for longdistance reception. Choose the type of antenna in accordance with the distance from the broadcast stations and reception areas conditions.

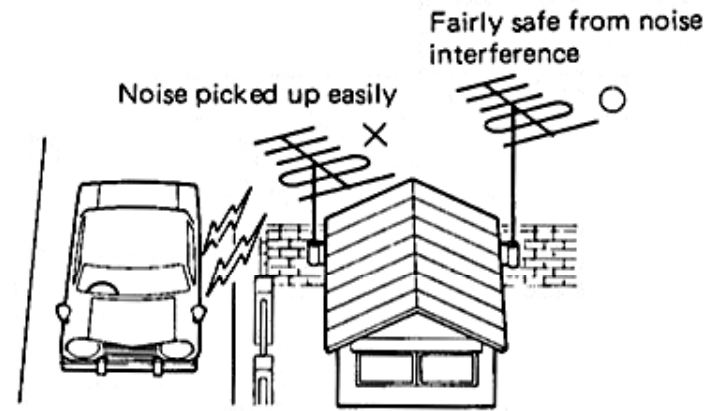
Lead-in wires

There are two types of lead-in wire which connects the outdoor FM antenna to the tuner: 300-ohm twin-lead feeder and 75-ohm coaxial cable. The 300-ohm twin-lead feeder can easily be used but it is susceptible to extraneous noise. The 75-ohm coaxial cable has a construction which makes it more immune to extraneous noise, and is sturdy with minimal aging.

Erecting the FM antenna

The installation location of the FM antenna must be chosen properly for stable FM reception. Bear in mind the following points and find the optimum location.

- * The ideal location is one which is high, which can receive the signals from the FM stations directly and which is not overshadowed by high buildings.
- * Install the antenna away from the road in order to avoid the ignition noise of automobiles. Choose a location which is at a distance from high-tension power transmission wires.
- * Install the antenna at least 2 meters away from a metal roof or other antennas.

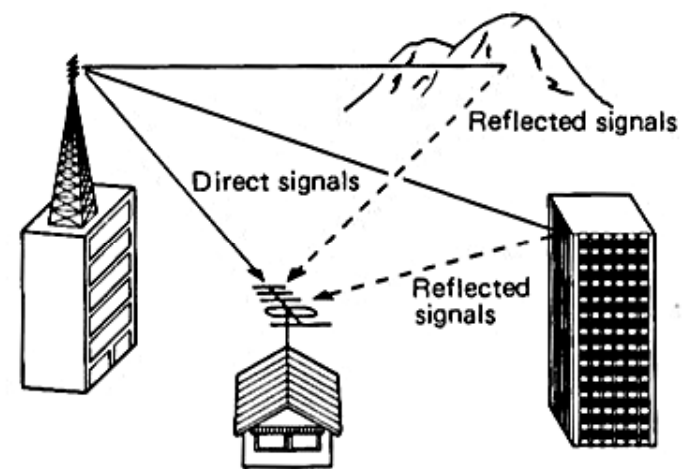


Multipath distortion

Like light, FM signals move in straight lines and are reflected by obstacles in their path. This is why the antenna picks up some signals which have come from the transmitting antenna directly and other signals which have been reflected by mountains or buildings. When both types of signals are picked up together, they interact to cause distortion in the sound and impair the separation.

This phenomenon is known as "multipath distortion" and is rather like the ghosts on the TV screen.

Multipath distortion can be minimized by selecting an antenna with sharp directivity characteristics and by installing it in the correct direction.



FM antenna direction

Choose a direction which yields the optimum reception. Do this while actually listening to an FM program.

To find the direction of the antenna which is affected least by multipath distortion, connect the amplifier and speakers, set the amplifier's TREBLE tone control to its maximum position, listen to the sound received at a relatively loud level and point the antenna in the direction where the hissing and humming noise as well as the distortion are reduced.

Nous sommes reconnaissants pour votre choix de ce produit Sansui d'une haute fidélité remarquable. Avant de commencer à vous en servir, nous vous recommandons de lire cette notice complètement et soigneusement, vous familiarisant ainsi avec les précautions importantes, les manœuvres de fonctionnement et chacune des nombreuses caractéristiques de l'appareil. Cela vous aidera à ne pas provoquer d'éventuels dommages et à vous permettre de profiter pendant de longues années des superbes performances de votre appareil.

Précautions

* Garder à l'esprit les points suivants.

Fiche d'alimentation

Lorsqu'on déconnecte le cordon d'alimentation de la prise secteur, toujours le tenir par sa fiche et non par le cordon, puis tirer. Ne jamais connecter ou déconnecter la fiche d'alimentation avec des mains mouillées car on risque de s'électrocuter.

* Ne pas oublier de déconnecter la fiche d'alimentation de la prise secteur quand on ne prévoit pas d'utiliser l'appareil pendant une période prolongée.

Ne pas ouvrir le coffret ni retirer le panneau inférieur

Toutes vérifications ou tous réglages à l'intérieur de l'appareil peuvent entraîner un fonctionnement défectueux ou causer des chocs électriques. Ne toucher aucune des pièces à l'intérieur. SANSUI ne garantit pas l'altération des performances de l'appareil si les pièces internes ont été touchées.

Précautions d'installation

Ne pas installer l'appareil dans les endroits suivants. Il pourrait en résulter une altération des performances ou un fonctionnement défectueux:

- * Endroits exposés directement au soleil ou à proximité d'objets dégageant de la chaleur comme les appareils de chauffage par exemple
- * Endroits exposés à l'humidité
- * Endroits instables et imparfaitement plats ou susceptibles de recevoir des vibrations
- * Endroits mal aérés exposés à la poussière et à la saleté
- * Au dessus d'un amplificateur dont la sortie de puissance est élevée, de composants audio renfermant ou tout autre appareil dégageant de la chaleur.

Ne pas essayer avec des amincisseurs

Essuyer les panneaux et le coffret de temps en temps avec un chiffon doux. Le fait d'utiliser un amincisseur, un liquide à base d'alcool ou volatile abîme les surfaces, engendre des taches sur l'extérieur et efface les inscriptions. Il convient donc d'éviter ces produits.

Ne pas utiliser de bombes insecticides à proximité de l'appareil.

FRANÇAIS

Spécifications

Section FM

Echelle d'accord.....	88 à 108 MHz
Sensibilité utilisable	
Mono IHF	10,8 dBf (1,9 μ V: T100)
DIN	0,95 μ V
Seuil de sensibilité (50 dB)	
Mono	16,0 dBf
Stéréo	36,0 dBf
Rapport de signal à bruit à 65 dBf	
Mono	85 dB
Stéréo	79 dB
Distorsion harmonique total à 65 dBf	
Mono	Moins de 0,05% à 1.000 Hz
Stéréo	Moins de 0,08% à 1.000 Hz
Selectivité du canal alterné (à 400 kHz)	
.....	60 dB
Taux de capture.....	1,0 dB
Rapport de réponse d'image	75 dB
Taux de réponse fugitive.....	90 dB
Séparation stéréo	40 dB à 100 Hz
	50 dB à 1.000 Hz
	40 dB à 10.000 Hz
Réponse en fréquence	
Stéréo	30 à 15.000 Hz
	+0,3 dB, -0,8 dB
Impédance d'entrée d'antenne	300 ohms compensés
	75 ohms non compensés

Section AM

Echelle d'accord.....	530 à 1.600 kHz
Sensibilité utilisable	50 dB/m (316 μ V/m)
Taux de signal à bruit.....	50 dB
Rapport de réponse d'image	45 dB à 1.000 kHz

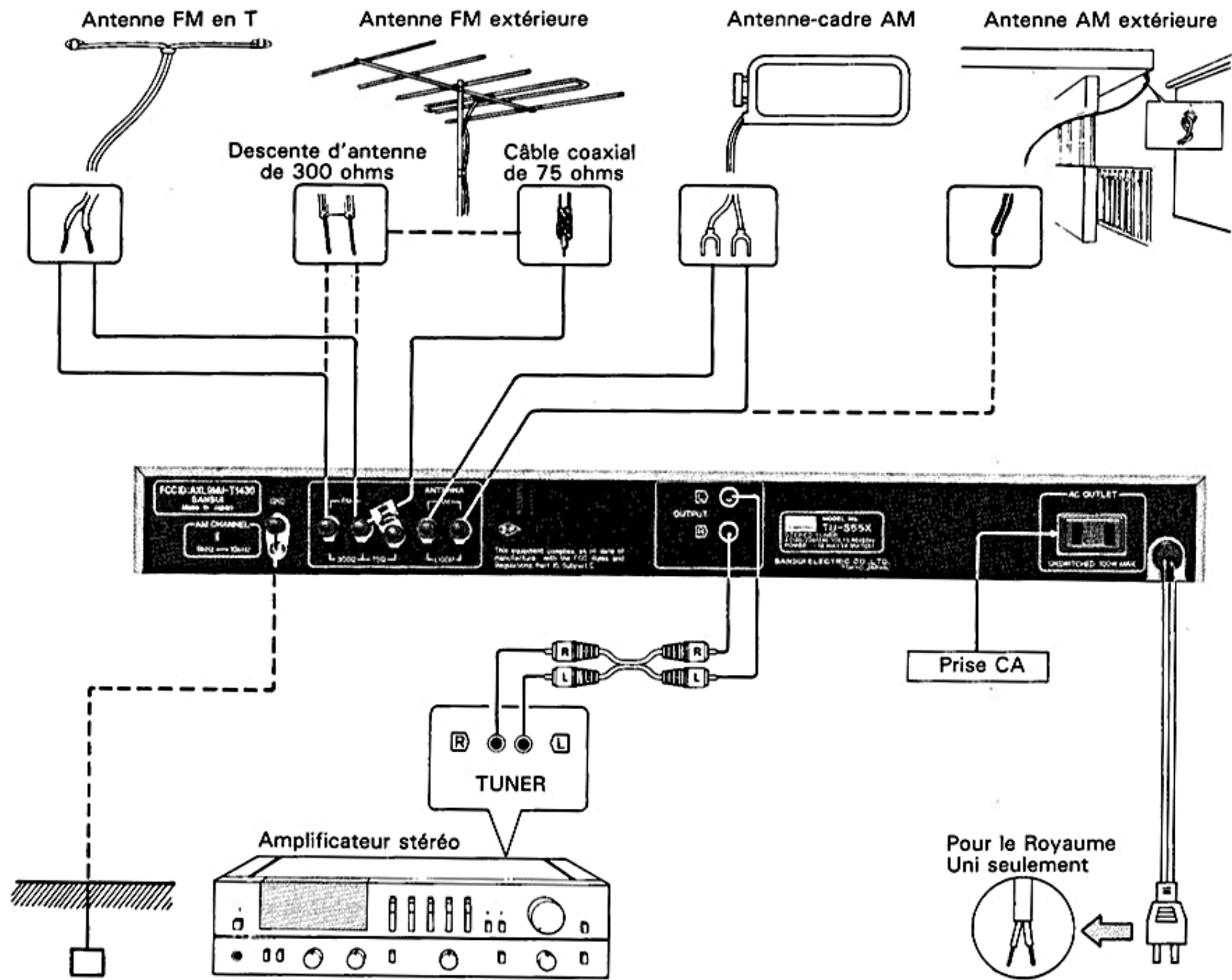
Divers

Impédance et tension de sortie	775 mV/2,2 kilohms
Alimentation	120/220/240 V
	50/60 Hz
Pour les USA et le Canada.....	120 V (60 Hz)
Consommation de courant	12 W
Dimensions	430 mm (L)
	51 mm (H)
	261 mm (P)
Poids	2,8 kg net
	3,6 kg emballé

- * La présentation et spécifications sont susceptibles d'être modifiées sans préavis par suite d'améliorations éventuelles.
- * Pour simplifier les explications, les illustrations peuvent quelquefois être différentes des originaux.

Connexions

* La prise secteur peut varier dans une certaine mesure en fonction du pays où l'appareil est vendu et des lois et réglementations de ce pays.



FRANÇAIS

Précautions à prendre pour les connexions

- * Lorsqu'on effectue les connexions, débrancher la fiche d'alimentation de la prise CA, ou bien mettre l'appareil hors tension à l'aide de l'interrupteur d'alimentation (POWER).
- * Introduire les fiches à fond. Des connexions insuffisantes peuvent engendrer des parasites.
- * Si on laisse le câble d'amenée de l'antenne connectée entrer en contact avec les autres pièces ou si la connexion n'est pas correctement effectuée, la réception risque d'être mauvaise et brouillée de parasites.

Connexion à l'amplificateur stéréo

Connecter les bornes de sortie (OUTPUT) de l'appareil aux bornes TUNER de l'amplificateur stéréo à l'aide du cordon avec fiche à broche fourni en accessoire.

Repérer les canaux de gauche et de droite, et raccorder correctement (L à L, et R à R).

Il est également recommandé d'insérer la fiche d'alimentation dans la prise CA commutée (SWITCHED) de l'amplificateur.

Pour le Royaume Uni seulement

Important

Les fils de cette ligne de secteur sont colorés en fonction du code suivant:

Bleu: Neutre
Marron: Sous-tension

Si la couleur des fils du câble secteur de cet appareil ne correspond pas aux repères de couleur qui permettent d'identifier les bornes de la prise, procéder de la façon suivante:

Le fil coloré en **bleu** doit être relié à la borne qui porte le repère "N" ou qui est colorée en noir.

Le fil coloré en **marron** doit être relié à la borne qui porte le repère "L" ou qui est colorée en rouge.

Bien vérifier que l'appareil est relié correctement. En cas de doute, consulter un électricien qualifié.

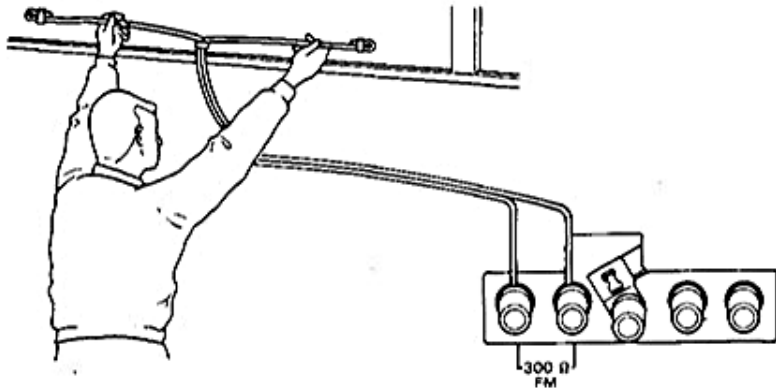
Pour les appareils qui ont été achetés en dehors du Royaume-Uni et qui sont dotés d'une fiche de câble secteur à deux broches marquée "EUROPEAN", il faudra retirer la fiche et effectuer les branchements en suivant les instructions données ci-dessus. S'assurer également que l'appareil est correctement réglé pour fonctionner sur un courant de 240 volts. En cas de doute, consulter un électricien qualifié ou l'un de nos centres de réparation au Royaume-Uni.

Connexion de l'antenne FM

Installer une antenne FM extérieure pour obtenir une bonne réception FM avec un minimum de parasites. L'antenne en T fournie en accessoire est prévue comme dépannage pour recevoir la réception FM jusqu'à ce que l'antenne FM extérieure soit installée.

Connexion de l'antenne en T

Connecter l'antenne aux bornes d'antenne FM de 300 ohms, déployer ses deux extrémités pour former un "T" trouver la direction qui assure la meilleure réception et fixer l'antenne au plafond ou à un mur. La fixer aussi solidement que possible. La réception sera instable si l'antenne est installée trop bas ou dans un endroit où tout le monde passe sans arrêt.



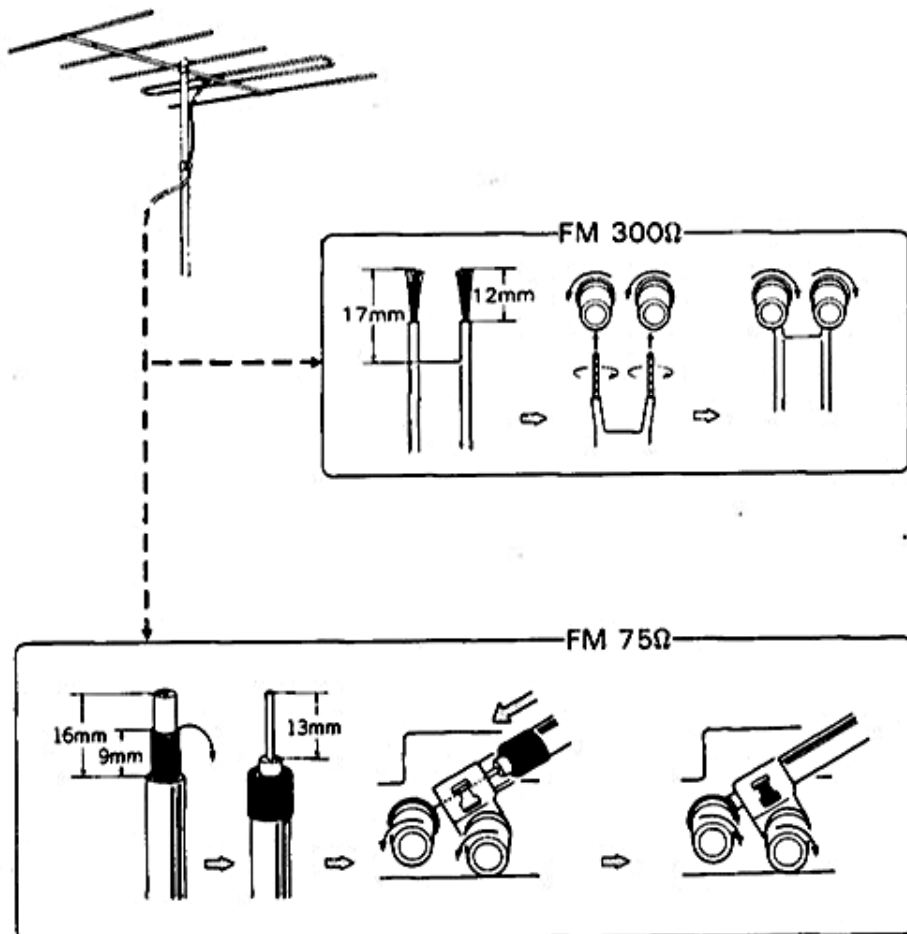
- * Retirer l'antenne en "T" lorsque l'antenne FM extérieure est connectée.

Connexion de l'antenne FM extérieure

Il y a deux sortes de câbles d'amenée pour connecter le tuner à l'antenne extérieure: un câble coaxial de 75 ohms, et une descente d'antenne de 300 ohms.

Connexion du câble coaxial de 75 ohms: Dénuder les extrémités du câble coaxial et leur donner la forme indiquée sur le schéma, puis les relier aux bornes d'antenne FM de 75 ohms.

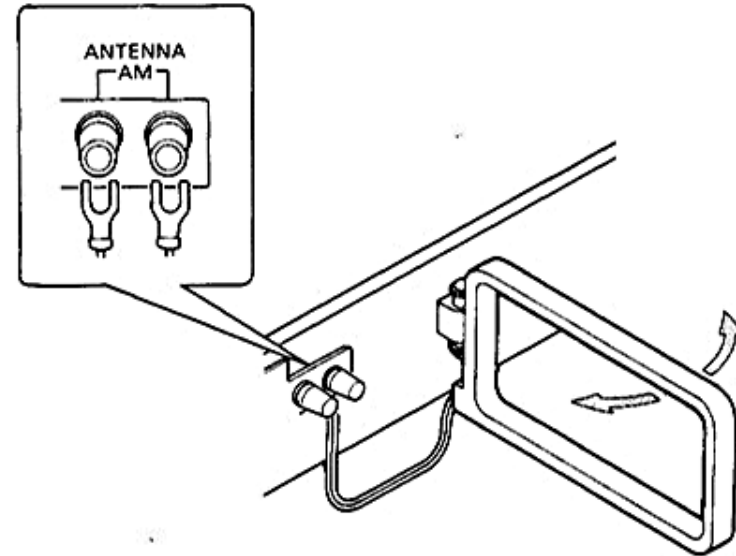
Connexion de la descente d'antenne de 300 ohms: Dénuder les extrémités de la descente d'antenne et leur donner la forme indiquée sur le schéma, puis les connecter aux bornes d'antenne FM de 300 ohms.



- * Laisser le câble d'amenée d'antenne à distance des cordons d'alimentation et des lampes. Les longueurs excessives de câble devront être coupées, et non roulées en pelote.

Connexion de l'antenne-cadre AM

Ronnecter le cordon de l'antenne-cadre AM fourni en accessoire aux bornes AM LOOP ANTENNA prévues sur le panneau arrière de l'appareil et fixer l'antenne sur le support d'antenne comme indiqué sur la figure. Déplacer l'antenne de façon à trouver la position de réception optimale.



- * La réception AM n'est pas possible si l'antenne-cadre est détachée. Même si l'on dispose d'une antenne AM extérieure, laisser cette antenne-cadre en place.
- * Ne pas approcher le cordon d'alimentation ou les cordons d'enceinte de l'antenne-cadre car ceci engendrerait des parasites.
- * La réception risque d'être instable si l'antenne-cadre est installée très près d'un mur. L'éloigner un peu du mur.

Plans de canal AM

Les programmes AM sont émis suivant des plans de canal qui, selon la région émettrice dans le monde, sont caractérisés par des différences de canal (intervalles de fréquence) entre les stations émettrices. En Amérique du Nord, Centrale et du Sud, c'est le canal 10 kHz, alors que dans le reste du monde, c'est le canal 9 kHz.

Cet appareil est un tuner synthétiseur sur lequel il est possible de modifier la fréquence de réception (intervalle de fréquence) entre 9 kHz et 10 kHz pendant la réception même. Si l'appareil fonctionne dans une région dont le plan de canal est différent, il se peut qu'il soit impossible de recevoir les stations AM. Cet appareil a été vendu réglé au canal de la région d'achat. Il est donc nécessaire de modifier le réglage du canal si l'on se rend dans une région dont le plan de canal est différent.

1. Débrancher le cordon d'alimentation de l'appareil.
 2. Faire glisser le sélecteur de canal AM (AM CHANNEL), qui se trouve sur le panneau arrière de l'appareil, sur la position correcte.
- * Se renseigner auprès de son magasin audio ou du dépositaire agréé Sansui le plus proche si l'appareil n'est pas doté d'un sélecteur de canal AM (AM CHANNEL).

ATTENTION: Selon la région où l'on achète l'appareil, il se peut qu'il ne soit pas équipé d'un sélecteur de canal AM (AM CHANNEL).

Prise CA

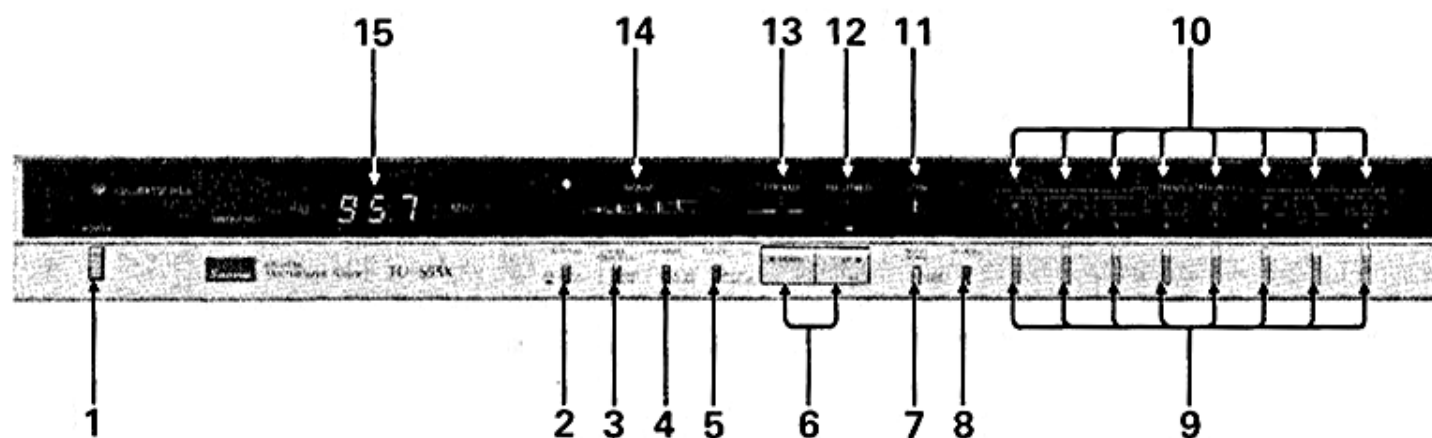
L'alimentation est fournie par la prise CA (AC OUTLET) qui se trouve sur le panneau arrière lorsque le cordon d'alimentation se trouve connecté à une prise CA du secteur.

- * Cette prise a une capacité maximale de 100 watts. Il serait extrêmement dangereux d'y connecter un appareil électrique dont la consommation excède ce régime. Avant d'effectuer la connexion, vérifier le régime.

REMARQUE: En raison des lois et règlements en vigueur dans certaines régions, il peut arriver que des modèles ne soient pas équipés de prises d'alimentation en courant alternatif. De même, la forme et capacité de ces prises varient également d'après les régions où les appareils sont mis en vente.

Indications sur le panneau

• Les photographies et illustrations présentent le modèle à panneau argenté.



1 Interrupteur d'alimentation (POWER)

Lorsque cet interrupteur est enfoncé, l'alimentation est fournie à l'appareil; Lorsqu'on l'enfoncé à nouveau, l'alimentation est coupée.

2 Sélecteur (SELECTOR)

Il permet de choisir entre les bandes d'émission FM et AM. La position relâchée FM correspond à la réception FM et la position enfoncée AM correspond à la réception AM.

3 Annulateur de parasites (NOISE CANCELER)

Lorsqu'on accorde une émission FM stéréo, la réception risque d'être perturbée par des parasites de hautes fréquences. Placer cet annulateur sur ON, ce qui permet d'éliminer une grande quantité de parasites. Dans ce cas, la séparation stéréo gauche/droite risque d'être légèrement altérée. Donc, laissez cet annulateur sur OFF si les parasites ne sont pas gênants.

* Cet annulateur n'est pas opérationnel dans le modo AM ou FM MONO.

4 Commutateur de mode FM (FM MODE)

Ce commutateur commute le mode de réception entre AUTO et MONO FM et le circuit de sourdine FM entre les positions de marche (ON) et d'arrêt (OFF).

Normalement, ce commutateur reste sur la position AUTO. Dans cette position, les émissions FM parviennent en stéréo et les émissions FM mono en mono. De même, ceci active le circuit de sourdine pour éliminer le bruit interstation gênant et rendre l'opération d'accord agréable. Mettre ce commutateur sur la position enfoncée MONO pour écouter une émission stéréo en mono ou pour capter une émission FM dont les signaux sont faibles et que le circuit de sourdine éliminerait.

5 Commande de mode d'accord (TUNING)

Elle permet de choisir le mode d'accord lorsqu'on veut accorder une station. La mettre sur la position AUTO pour effectuer un accord automatique, et sur la position MANUAL pour effectuer un accord manuel ou lorsque les signaux sont faibles.

6 Boutons d'accord (TUNING)

Appuyer sur ces boutons dans le mode d'accord pour accorder les stations.

Selon le réglage de la commande de mode d'accord (TUNING), les stations peuvent être captées dans le mode automatique ou dans le mode manuel.

Accord automatique: Lorsque la commande de mode d'accord (TUNING) se trouve sur la position AUTO, l'accord est automatique.

Lorsqu'on appuie sur le bouton d'accord ascendant (UP), la fréquence de réception augmente, et lorsqu'on appuie sur le bouton d'accord descendant (DOWN), elle diminue. L'accord automatique commence lorsqu'on appuie sur le bouton, et il s'arrête dès qu'une station est captée.

Accord manuel: Lorsque la commande de mode d'accord (TUNING) se trouve sur la position MANUAL, l'accord devient manuel. Chaque fois qu'on appuie sur le bouton d'accord ascendant (UP), la fréquence de réception augmente de 100 kHz pour la FM et de 10 ou 9 kHz pour la AM (en fonction de la région où l'on a acheté l'appareil, il se trouve réglé sur l'un ou sur l'autre). La fréquence de réception augmente si l'on maintient le bouton enfoncé, et elle s'arrête dès qu'on relâche le doigt. Lorsqu'on appuie sur le bouton d'accord descendant (DOWN), la fréquence de réception diminue de la même façon.

7 Sélecteur de balayage des stations pré réglées (PRESET SCAN)

Ce sélecteur commande tour à tour les 8 stations pré réglées sur les boutons de stations pré réglées (PRESET STATION). Lorsqu'on appuie sur ce sélecteur, il rappelle les stations qui ont été pré réglées sur les boutons de station pré réglée (PRESET STATION) les unes après les autres au rythme de 4 secondes chacune, et suivant l'ordre (1)→(2)→(3)→... (8)→(1)→(2), ce qui permet de contrôler les programmes des stations. Si l'on appuie à nouveau sur ce sélecteur, la fonction de balayage s'annule et elle s'arrête sur la station actuellement contrôlée.

8 Bouton de mémoire (MEMORY)

Si l'on veut entrer en mémoire sur un bouton de station pré réglée (PRESET STATION) la station que l'on est en train de recevoir, appuyer sur le bouton de station pré réglée (PRESET STATION) tout en maintenant le bouton de mémoire (MEMORY) enfoncée. Ceci mémorise la station. Le témoin de mémoire (MEMORY) apparaît à l'affichage quand on appuie sur ce bouton.

9 Boutons de stations pré réglées (PRESET STATION)

Il est possible de mettre en mémoire (pré régler) une station AM et une station FM dans chacun de ces boutons (et de les sélectionner avec le sélecteur). Une fois qu'une station a été pré réglée, il suffit pour la rappeler d'appuyer sur le bouton de station pré réglée (PRESET STATION) correspondant.

10 Témoin de station pré réglée (PRESET STATION)

Le témoin de bouton de station pré réglée (PRESET STATION) s'allume pendant une opération de balayage de stations pré réglées ou lorsqu'on accorde une station à l'aide du bouton de station pré réglée (PRESET STATION).

11 Témoin de balayage (SCAN)

Ce témoin s'allume pendant l'opération de balayage de stations pré réglées.

12 Témoin FM STEREO

Lorsque le commutateur de mode FM (FM MODE) se trouve sur AUTO et qu'une station FM est accordée, ce témoin s'allume pour indiquer que l'émission est reçue en stéréo. Lorsque le commutateur de mode FM (FM MODE) se trouve sur MONO, le témoin ne s'allume pas, même si le programme est émis en stéréo.

13 Témoin de verrouillage (LOCKED)

Lorsqu'on accorde une station, ce témoin s'allume et verrouille la station lorsqu'on obtient le point d'accord optimal de la fréquence. Ceci permet d'obtenir une réception optimale. Toutefois, il se peut que ce témoin ne s'allume pas si les signaux de la station sont faibles ou si l'entrée de l'antenne est insuffisante.

14 Indicateur de SIGNAL

Lorsqu'une station a été accordée, cet indicateur s'allume pour indiquer la force des signaux captés par l'antenne.

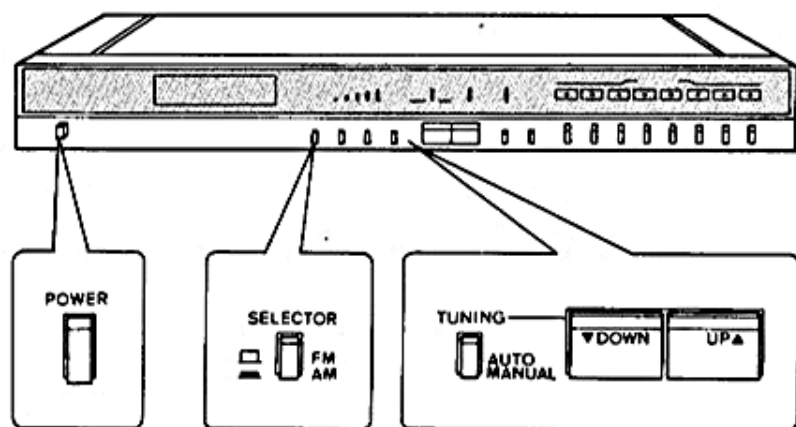
15 Affichage de fréquence (FREQUENCY)

Cet affichage numérique indique la fréquence de réception. Les émissions FM sont indiquées en MHz, et les émissions AM en kHz.

Procédés de réglage

Fonctionnement de base

1. Appuyer sur l'interrupteur d'alimentation (POWER) pour mettre l'appareil sous tension.
2. Choisir la bande (FM ou AM) à l'aide du sélecteur (SELECTOR). Mettre ce sélecteur sur la position FM relâchée pour une réception FM et sur la position AM enfoncée pour une réception AM.
3. Appuyer sur les boutons d'accord (TUNING) pour accorder la station.
Accord automatique: Mettre la commande de mode d'accord (TUNING) sur la position AUTO. L'accord commence automatiquement lorsqu'on appuie sur le bouton d'accord ascendant (UP) ou descendant (DOWN), et il s'arrête automatiquement lorsqu'une station est captée. Si cette station n'est pas celle que l'on désire, appuyer à nouveau sur le bouton pour reprendre l'accord. Répéter cette opération jusqu'à ce que l'on capte la station voulue.
Accord manuel: Il se peut que les stations dont les signaux sont faibles ne puissent pas être accordées automatiquement. Dans ce cas, effectuer un accord manuel. Mettre la commande de mode d'accord (TUNING) sur la position MANUAL. Appuyer de façon continue sur le bouton d'accord ascendant (UP) ou descendant (DOWN) tout en regardant la fréquence de réception qui est affichée sur l'affichage de fréquence (FREQUENCY), et accorder sur la fréquence exacte en exerçant des petites poussées successives sur le bouton lorsqu'on approche de la station voulue.
4. Régler le volume et la tonalité à l'aide des commandes de l'amplificateur stéréo.

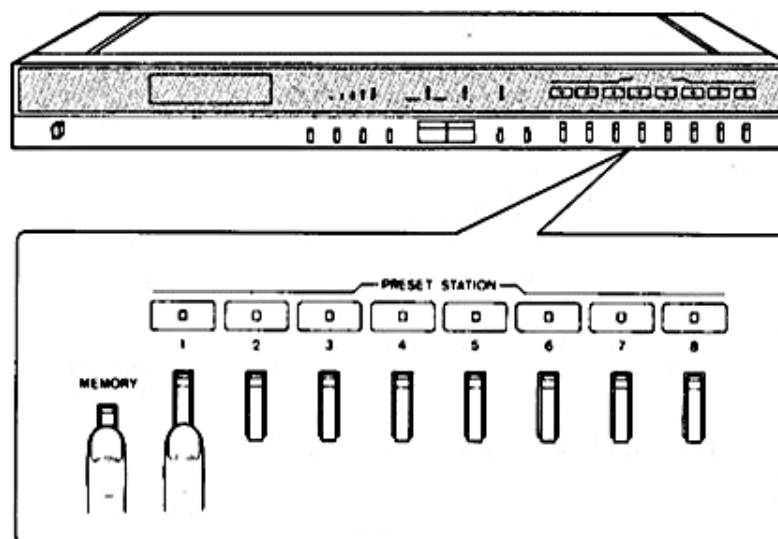


- * Le témoin FM STEREO s'allume à la réception d'une station stéréo.
- * Lorsqu'une station est accordée, le témoin de SIGNAL s'allume, et la force du signal est indiquée. Le témoin de verrouillage (LOCKED) s'allume pour indiquer que la station est verrouillée. Toutefois, le témoin de verrouillage (LOCKED) peut ne pas s'allumer si les signaux de la station sont faibles.
- * L'accord automatique ne s'arrête que lorsqu'une station a été accordée. Pour suspendre l'opération, appuyer sur la commande mode d'accord (TUNING).
- * Si le commutateur de mode FM (FM MODE) se trouve sur la position AUTO lorsqu'on capte une station FM dont les signaux sont faibles, il se peut qu'il n'y ait pas de son parce que le circuit de sourdine FM a été activé. Dans ce cas, enfoncer le commutateur de mode FM (FM MODE) sur la position MONO pour recevoir le programme en mono.

Préréglage des stations

Pour rappeler les stations que l'on écoute fréquemment, appuyer sur leur bouton si l'on a préréglé leur fréquence par avance dans les boutons de stations préréglées (PRESET STATION).

1. Accorder la station que l'on veut préréglé en procédant aux étapes 1-3 du fonctionnement de base.
2. Lorsque l'on enfonce le bouton de station préréglée (PRESET STATION) alors que le bouton de mémoire (MEMORY) se trouve déjà dans la position enfoncée, le témoin de station préréglée (PRESET STATION) qui se trouve au-dessus du bouton s'allume et la station accordée est alors préréglée. L'opération est alors terminée.



- * Lorsqu'on préréglé une station différente dans un bouton de station préréglée (PRESET STATION) qui renferme déjà une fréquence, la station préréglée précédemment s'efface.
- * Il est possible de préréglé une station AM et une station FM dans chacun des boutons de station préréglé (PRESET STATION). Choisir la bande AM ou la bande FM à l'aide du sélecteur (SELECTOR).
- * Le préréglage des stations ne s'efface pas si l'alimentation est coupée.
- * Cet appareil est doté d'une fonction de mémorisation de la dernière station captée qui conserve la station reçue juste avant que l'alimentation ne soit coupée. Cette fonction permet de recevoir automatiquement la même station lorsque l'appareil est à nouveau mis sous tension.

Fonction de balayage des stations préréglées

Cette fonction est très pratique parce qu'elle permet de contrôler successivement le contenu des programmes des différentes stations préréglées avant d'effectuer l'accord. Si l'on appuie sur le sélecteur de balayage des stations préréglées (PRESET SCAN) pendant la réception d'une émission, le témoin de balayage s'allume et les stations préréglées sont captées automatiquement à intervalles de 4 secondes, dans l'ordre suivant: (1)→(2)→(3)→... (8)→(1)→(2). Dans ce cas, les témoins de stations préréglées (PRESET STATIONS) s'allument l'un après l'autre. Ceci permet de choisir la station tout en contrôlant le contenu du programme de chaque station. Lorsque l'on trouve le programme que l'on veut écouter, appuyer à nouveau sur le sélecteur de balayage de stations préréglées (PRESET SCAN) pour recevoir cette émission. Les stations préréglées FM sont balayées pendant la réception FM, et les stations préréglées AM, pendant la réception AM.

Quelques conseils utiles

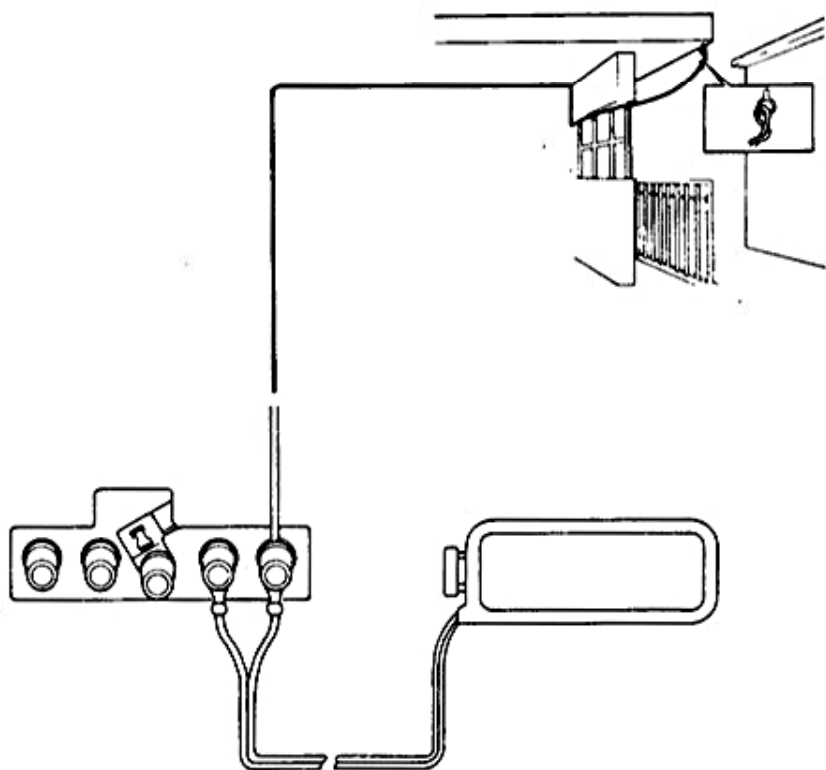
Antenne AM extérieure

Lorsque les signaux qui parviennent d'une station AM sont faibles, le son est encombré par les autres stations émettrices et l'on perçoit des parasites. En particulier, les sons sont plus faibles en intérieur qu'à l'extérieur car il peut également capter les parasites d'autres appareils électriques. Dans ce cas, procéder de la façon suivante:

1. Bouger l'antenne-cadre de façon à trouver la position qui donne la meilleure réception.
2. Eloigner le cordon d'alimentation et les cordons des enceintes de l'antenne-cadre.
3. Essayer de changer l'emplacement de l'appareil.

Si la réception n'est toujours pas meilleure, torsader un conducteur à enveloppe de vinyle avec le conducteur de l'antenne-cadre et connecter l'une des extrémités aux bornes d'antenne-cadre AM (AM LOOP) et déployer l'autre extrémité dehors.

- * Laisser l'antenne-cadre fixée même si l'on installe une antenne AM extérieure. La réception des stations AM n'est pas possible si l'antenne-cadre est retirée.



Antenne FM extérieure et câble d'amenée

Les antennes FM extérieures et la directivité

Une antenne FM extérieure doit être dressée de façon à obtenir la meilleure qualité de réception FM et le minimum de parasites. Ceci est particulièrement vrai pour la réception FM dans les régions entourées de bâtiments élevés où de montagnes.

Les antennes FM ont une directivité dont la précision augmente avec le nombre de leurs éléments. Etant donné que leur principe est de recevoir les signaux qui viennent d'une direction donnée et que donc elles captent difficilement ceux qui viennent d'autres directions, la distorsion résultant de la propagation diversifiée s'en trouve réduite. Le gain (sensibilité) augmente également en proportion directe avec le nombre de leurs éléments, ce qui les rend efficaces pour les réceptions à longue distance. Choisir le type d'antenne en fonction de la distance des stations émettrices et des conditions régionales de réception.

Câbles d'amenée

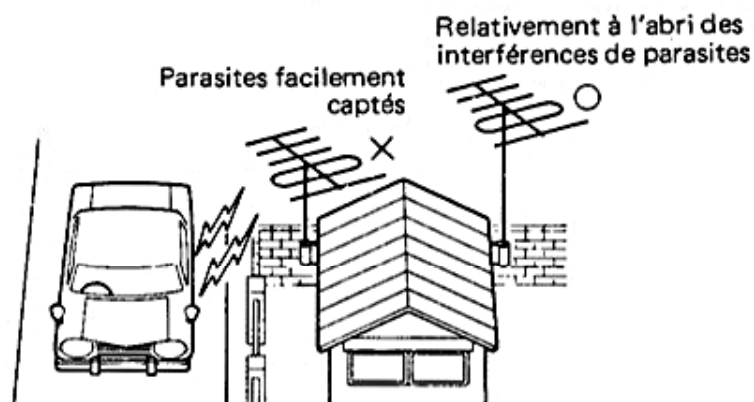
Il y a deux sortes de câbles d'amenée qui connectent l'antenne FM extérieure et le tuner: la descente d'antenne bifilaire de 300 ohms et le câble coaxial de 75 ohms.

La descente d'antenne bifilaire de 300 ohms est facile d'utilisation mais elle est extrêmement sensible aux parasites étrangers. Le câble coaxial de 75 ohms a une construction qui le rend plus immune aux parasites étrangers. Il est de plus solide et résiste très bien à l'usure.

Election d'une antenne FM

Il convient de bien choisir l'endroit où l'on va ériger l'antenne si l'on veut obtenir une réception FM stable. Garder à l'esprit les points suivants pour déterminer le meilleur emplacement.

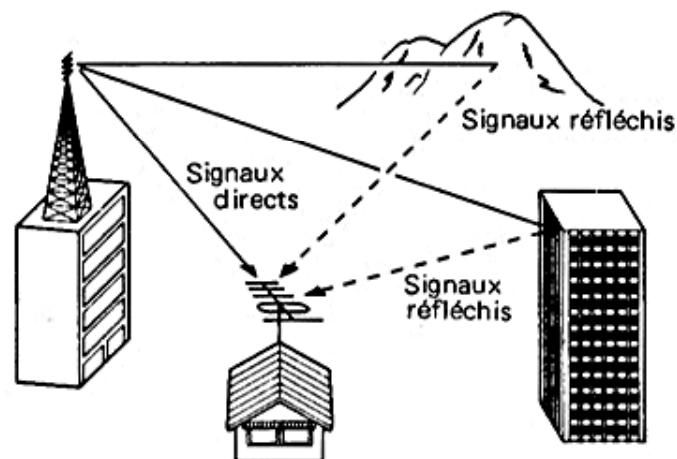
- * Le meilleur emplacement sera élevé, il pourra recevoir les signaux des stations FM directement et il ne sera pas caché par des bâtiments élevés.
- * Installer l'antenne loin des voies de circulation de façon à éviter les parasites d'allumage des voitures. Choisir un emplacement éloigné des câbles à haute tension.
- * Installer l'antenne à deux mètres au moins de la toiture si elle est métallique ou des autres antennes.



Distorsion de transmodulation

Tout comme la lumière, les signaux FM se déplacent en ligne droite et sont réfléchis par les obstacles qu'ils rencontrent sur leur chemin. C'est pourquoi l'antenne capte certains signaux qui arrivent de l'antenne émettrice directement, et d'autres signaux qui ont été réfléchis par des montagnes ou des bâtiments. Lorsque ces deux catégories de signaux sont captées en même temps, ils agissent les uns sur les autres et provoquent une distorsion dans le son en même temps qu'ils affectent la séparation. Ce phénomène est connu sous le nom de "distorsion de transmodulation" et ressemble assez aux images fantômes qui apparaissent sur les écrans de télévision.

Il est possible de réduire cette distorsion de transmodulation si l'on choisit une antenne à caractéristiques de directivité précises et si on l'installe dans la bonne direction.



Direction de l'antenne FM

Choisir la direction qui donne la meilleure réception. Pour ce faire, écouter en même temps un programme FM.

Pour direction la direction de l'antenne qui est le moins affectée par la distorsion de transmodulation, connecter l'amplificateur et les enceintes, mettre la commande des aiguës de l'amplificateur sur sa position maximale, écouter le son reçu à un niveau de sonorité relativement puissant et diriger l'antenne dans la direction qui offre un niveau réduit de sifflement, de ronflement ainsi que de distorsion.

Wir möchten zu dieser Gelegenheit unseren Dank aussprechen, daß Sie sich für diesen HiFi-Baustein von Sansui entschieden haben. Bitte lesen Sie vor der Inbetriebnahme des Gerätes diese Anleitung sorgfältig durch, um sich mit den wichtigen Vorsichtsmaßnahmen, den Bedienungsvorgängen und den vielen hervorragenden Eigenschaften dieses Gerätes vollständig vertraut zu machen. Mögliche Beschädigungen können dadurch vermieden werden, so daß Sie das hervorragende Leistungsvermögen dieser Komponente für viele Jahre genießen können.

Vorsichtsmaßnahmen

- * Bitte die folgenden Hinweise beachten.

Netzstecker

Zum Trennen des Netzkabels von der Steckdose immer am Stecker, nicht am Kabel anfassen, und abziehen. Zur Verhütung von Stromschlag den Netzstecker nie mit nassen Händen anschließen oder abziehen.

- * Denken Sie daran, den Netzstecker aus der Steckdose abzuziehen, wenn Sie das Gerät für längere Zeit nicht benutzen.

Gehäuse und Bodenplatte nicht abnehmen

Werden Inspektionen oder Justierungen im Geräteinnern ausgeführt, so kann dies zu Fehlfunktionen und Stromschlag führen. Keine Teile im Innern des Gerätes berühren. SANSUIs Garantie erstreckt sich nicht auf Beeinträchtigungen der Geräteleistung, die auf unbefugte Eingriffe im Innern des Gerätes zurückzuführen sind.

Vorsichtsmaßnahmen zur Installierung

Um Beeinträchtigungen der Leistung oder Fehlfunktion zu vermeiden, sollte das Gerät nicht an den folgenden Orten aufgestellt werden:

- * In direktem Sonnenlicht oder in der Nähe von Wärmequellen wie Heizkörpern usw.
- * An Orten mit hoher Feuchtigkeit oder Nässe
- * An Orten mit schlechter Luftzirkulation, wo das Gerät Staub oder Schmutz ausgesetzt ist
- * Auf unstabilen, unebenen oder leicht vibrierenden Unterlagen
- * Auf einem Verstärker mit hoher Leistungsabgabe, auf Audiokomponenten mit Vakuumröhren oder auf anderen Geräten, die Wärme entwickeln.

Zum Reinigen des Gerätes keine Verdüner benutzen

Gehäuse und Schalttafel ab und zu mit einem weichen Tuch abreiben. Die Verwendung von Verdünnern, Alkohol oder leichtflüchtigen Reinigungsmitteln ist zu vermeiden, weil es dadurch zu Beschädigung der Oberfläche, Fleckenbildung und Abreiben der Markierungen kommen kann.

Keine Insektensprays in der Nähe des Gerätes verwenden.

DEUTSCH

Technische Daten

UKW-Abschnitt

Empfangsbereich.....	88 bis 108 MHz
Eingangsempfindlichkeit	
Mono IHF	10,8 dBf (1,9 μ V: T100)
DIN	0,95 μ V
50 dB-Empfindlichkeitsschwelle	
Mono	16,0 dBf
Stereo	36,0 dBf
Signal-Rauschspannungsabstand bei 65 dBf	
Mono	85 dB
Stereo	79 dB
Klirrfaktor bei 65 dBf	
Mono	weniger als 0,05% bei 1.000 Hz
Stereo	weniger als 0,08% bei 1.000 Hz
Trennschärfe gegen den dritten Kanal (bei 400 kHz)	
.....	60 dB
Gleichwellenselektion.....	1,0 dB
Spiegelfrequenzdämpfung	75 dB
Nebenwellendämpfung.....	90 dB
Übersprehdämpfung.....	40 dB bei 100 Hz
	50 dB bei 1.000 Hz
	40 dB bei 10.000 Hz
Frequenzgang	
Stereo	30 bis 15.000 Hz
	+0,3 dB, -0,8 dB
Antenneneingangsimpedanz.....	300 Ohm, symmetrisch
	75 Ohm, asymmetrisch

MW-Abschnitt

Empfangsbereich.....	530 bis 1.600 kHz
Eingangsempfindlichkeit.....	50 dB/m (316 μ V/m)
Fremdspannungsabstand.....	50 dB
Spiegelfrequenzdämpfung	45 dB bei 1.000 kHz

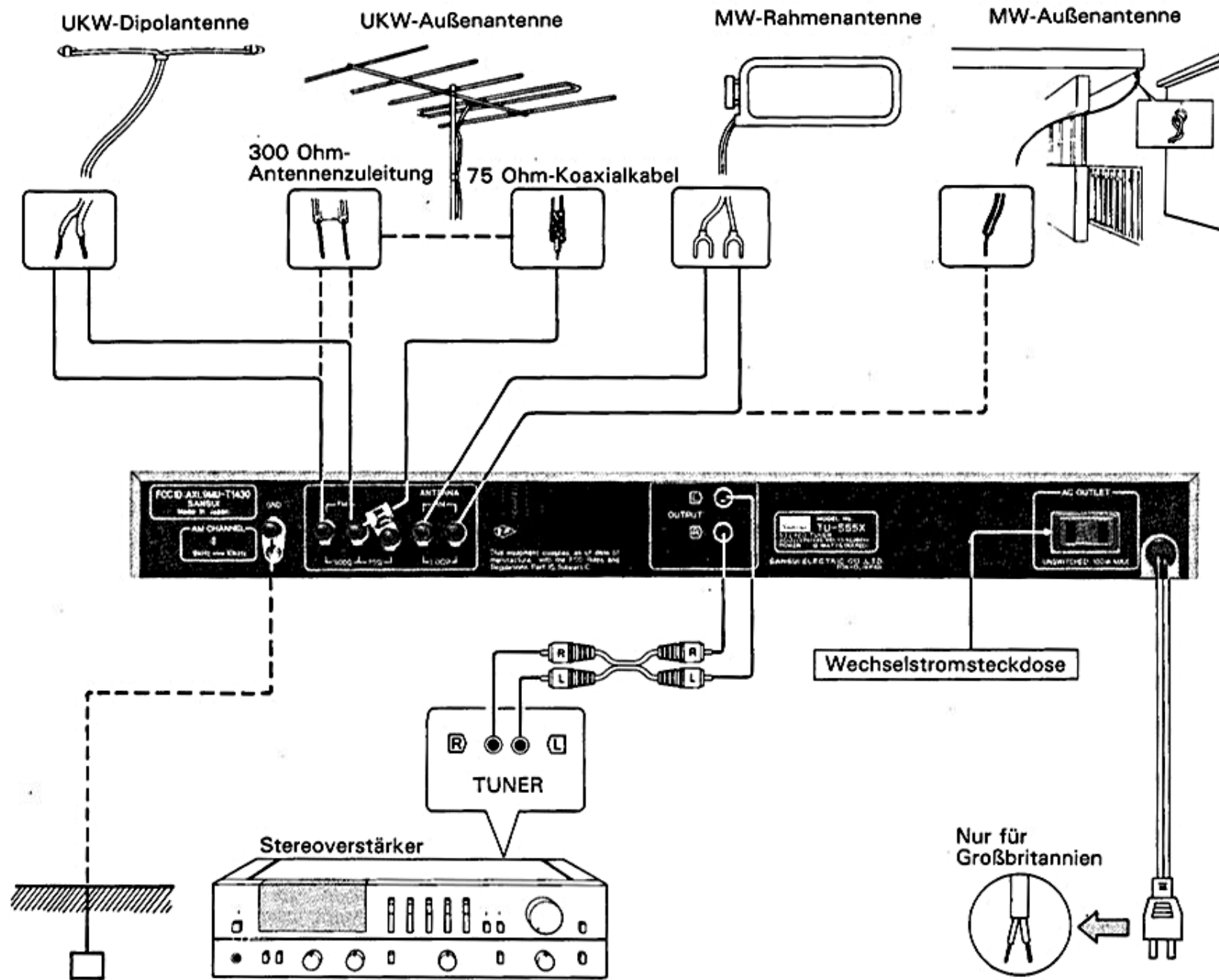
Sonstiges

Ausgangsspannung und Impedanz.....	775 mV/2,2 Kiloohm
Stromversorgung.....	120/220/240V
	50/60 Hz
Für USA und Kanada	120 V (60 Hz)
Stromverbrauch	12 W
Abmessungen	430 mm Breite
	51 mm Höhe
	261 mm Tiefe
Gewicht.....	2,8 kg netto
	3,6 kg verpackt

- * Änderungen, die dem technischen Fortschritt dienen, bleiben vorbehalten.
- * Um die Erläuterung zu vereinfachen, können die Abbildungen manchmal vom Original abweichen.

Anschlüsse

* Die Ausführung des Netzsteckers hängt vom jeweiligen Verkaufsgebiet sowie örtlichen Bestimmungen und Vorschriften ab.



DEUTSCH

Vorsichtsmaßnahmen beim Anschluß

- * Beim Anschließen entweder den Netzstecker von der Steckdose abziehen oder das Gerät mit dem Netzschalter ausschalten.
- * Alle Stecker fest einstecken. Falscher Anschluß kann Stoßgeräusche hervorrufen.
- * Gerät der Einführungsdraht der angeschlossenen Antenne mit anderen Teilen in Berührung, oder wird er falsch angeschlossen, so kann dies zu schlechtem Empfang und der Entstehung von Störgeräuschen führen.

Anschluß an den Stereo-Verstärker

Die Ausgangsbuchsen (OUTPUT) des Gerätes mit dem mitgelieferten Cinchsteckerkabel an die TUNER-Buchsen des Stereo-Verstärkers anschließen.
 Beim Anschließen sicherstellen, daß der rechte und linke Kanal polaritätsrichtig angeschlossen wird (L zu L, R zu R). Es empfiehlt sich, den Netzstecker des Gerätes an die Zusatzsteckdose (SWITCHED) am Stereo-Verstärker anzuschließen.

Nur für Großbritannien

Wichtig

Die Drähte dieses Netzkabels folgen in ihrer Farbe dem nachstehenden Code:

- Blau: Neutral**
- Braun: Stromführend**

Falls die Farben der Drähte des Netzkabels dieses Gerätes nicht mit den farbigen Markierungen der Klemmen Ihres Steckers übereinstimmen, gehen Sie folgendermaßen vor:

Der **blaue** Draht ist an die schwarze oder dem Buchstaben "N" bezeichnete Klemme anzuschließen.

Der **braune** Draht ist an die rote oder mit dem Buchstaben "L" bezeichnete Klemme anzuschließen.

Vergewissern Sie sich, daß Ihr Gerät ordnungsgemäß angeschlossen ist. Im Zweifelsfall wenden Sie sich bitte an einen qualifizierten Elektriker.

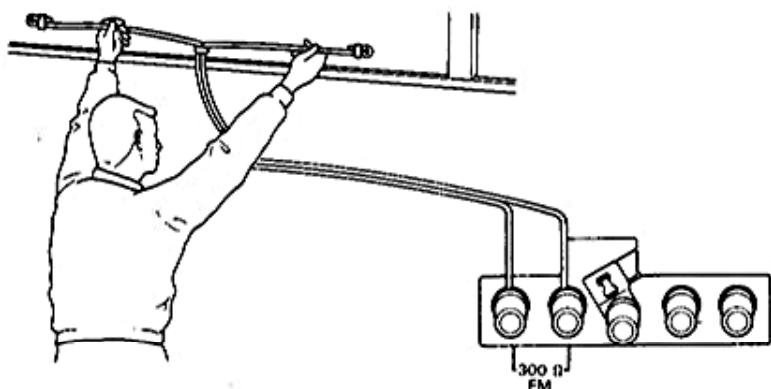
Bei einem außerhalb Großbritanniens gekauften Gerät, das mit einem "europäischen" zweipoligen Netzstecker ausgestattet ist, muß dieser Stecker entfernt und der Anschluß wie oben beschrieben hergestellt werden. Vergewissern Sie sich außerdem, daß das Gerät richtig auf den Betrieb über 240V Netzspannung eingestellt ist. Im Zweifelsfall wenden Sie sich bitte an einen qualifizierten Elektriker oder unseren Kundendienst in Großbritannien.

Anschluß der UKW-Antenne

Für guten Empfang mit minimalem Rauschen eine UKW-Außenantenne aufstellen. Die mitgelieferte Dipolantenne ist als eine Behelfsmaßnahme vorgesehen, um UKW-Empfang zu ermöglichen, bis die UKW-Außenantenne aufgestellt ist.

Anschluß der Dipolantenne

Die Antenne an die 300 Ohm UKW-Antennen-Anschlußklemmen anschließen, die beiden Arme in T-Form spreizen, die Richtung mit dem besten Empfang aufändig machen, und die Antenne an der Decke oder Wand so hoch wie möglich anbringen. Wird die Antenne zu niedrig oder an einem Ort installiert, wo ständig Leute vorbeigehen, so wird der Empfang unstabil.



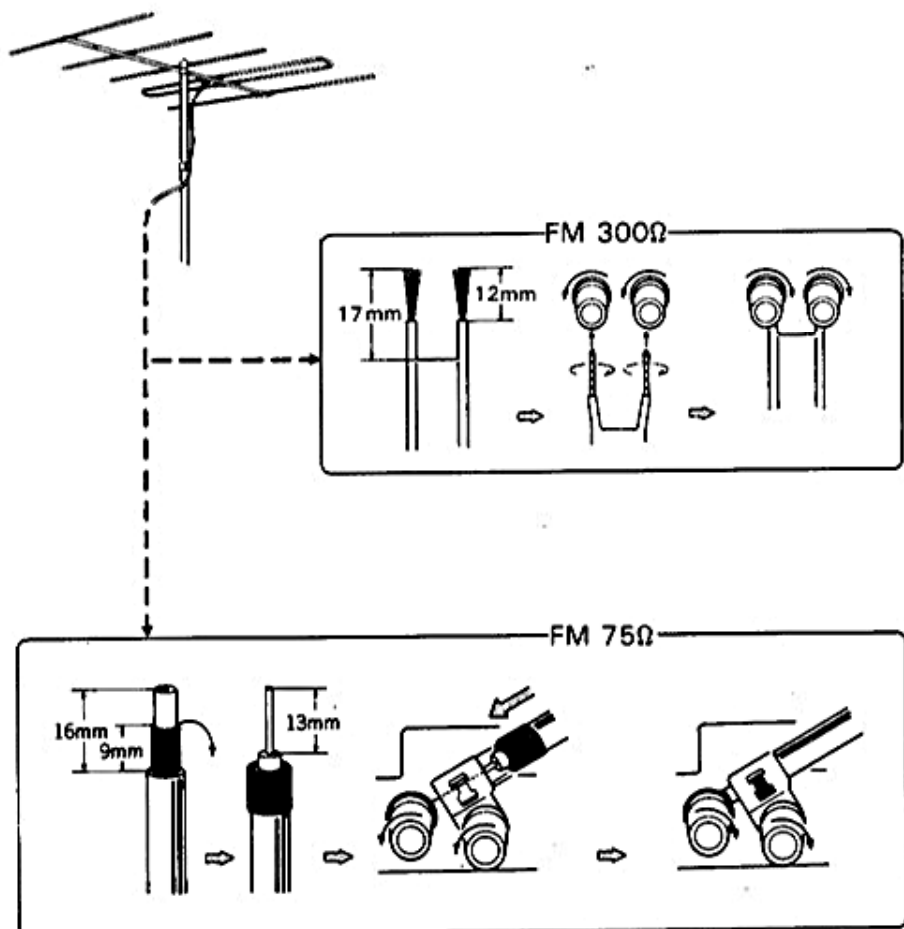
- * Nach Installation der UKW-Außenantenne die Dipolantenne abnehmen.

Anschluß UKW-Außenantenne

Zum Anschluß der Außenantenne gibt es zwei Arten von Antennenzuleitung: 75 Ohm-Koaxialkabel und 300 Ohm-Speisekabel.

Anschluß mit dem 75 Ohm-Koaxialkabel: Die Leitungsdrähte des Koaxialkabels am Ende freilegen und wie in der Abbildung gezeigt präparieren, und danach an die 75 Ohm-UKW-Antennen-Anschlußklemmen anschließen.

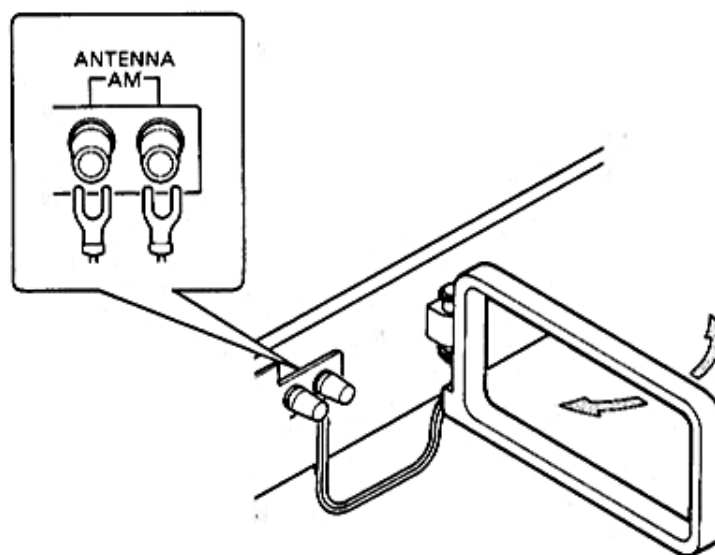
Anschluß des 300 Ohm-Speisekabels: Die Leitungsdrähte des Speisekabels am Ende freilegen und wie in der Abbildung gezeigt präparieren, und danach an die 300 Ohm-UKW-Antennen-Anschlußklemmen anschließen.



- * Den Zuleitungsdraht von Netzkabeln und Lampen entfernt halten. Überflüssige Drahtlängen sollten nicht aufgerollt, sondern abgeschnitten werden.

Anschließen der MW-Rahmenantenne

Das Kabel der mitgelieferten MW-Rahmenantenne an die MW-Rahmenantennenklemmen (AM LOOP ANTENNA) auf der Geräterückseite anschließen und die Antenne wie gezeigt am Antennenhalter anbringen. Die Antenne drehen, um die beste Empfangsposition ausfindig zu machen.



- * MW-Empfang ist mit abgelöster Rahmenantenne nicht möglich. Diese Antenne daher selbst bei Aufstellung einer MW-Außenantenne nicht vom Gerät abnehmen.
- * Zur Vermeidung von Rauschen das Netzkabel und die Lautsprecherkabel nicht in die Nähe der Rahmenantenne bringen.
- * Wird die Rahmenantenne dicht an einer Wand angebracht, so ist der Empfang möglicherweise nicht stabil genug. Daher sollte die Antenne immer etwas von der Wand entfernt befestigt werden.

MW-Kanalpläne

MW-programme werden auf Grund von Kanalplänen gesendet, die je nach dem Sendebereich in der Welt durch verschiedenen Kanalbreiten (Frequenzintervalle) zwischen den Sendestationen gekennzeichnet sind. In Nord-, Mittel- und Südamerika beträgt diese Kanalbreite 10 kHz, in der übrigen Welt 9 kHz. Ihr Gerät ist ein synthesizer-Tuner, der die Frequenz bei Empfang bei jedem 9 kHz- oder 10 kHz-Kanal (Frequenzintervall) verändert. Falls Sie Ihr Gerät in einem Gebiet mit anderem Kanalplan betreiben, können MW-Station u.U. nicht empfangen werden. Ihr Gerät wurde vor dem Versand auf die Kanalbreite in Ihrem Gebiet eingestellt. Falls Sie daher in ein Gebiet mit einem anderen Kanalplan ziehen, so muß die Kanaleinstellung justiert werden.

1. Das Gerät ausschalten.
 2. Den MW-Kanalabstandswähler (AM CHANNEL) auf der Geräterückseite auf die richtige Stellung schieben.
- * Falls Ihr Gerät nicht mit einem MW-Kanalabstandswähler (AM CHANNEL) ausgestattet ist, setzen Sie sich bitte mit Ihrem Fachhändler oder der nächsten autorisierten Sansui-Kundendienststelle in Verbindung.

HINWEIS: Je nach Verkaufsgebiet ist Ihr Gerät u. U. nicht mit einem MW-Kanalabstandswähler (AM CHANNEL) ausgerüstet.

Wechselstromsteckdose (AC OUTLET)

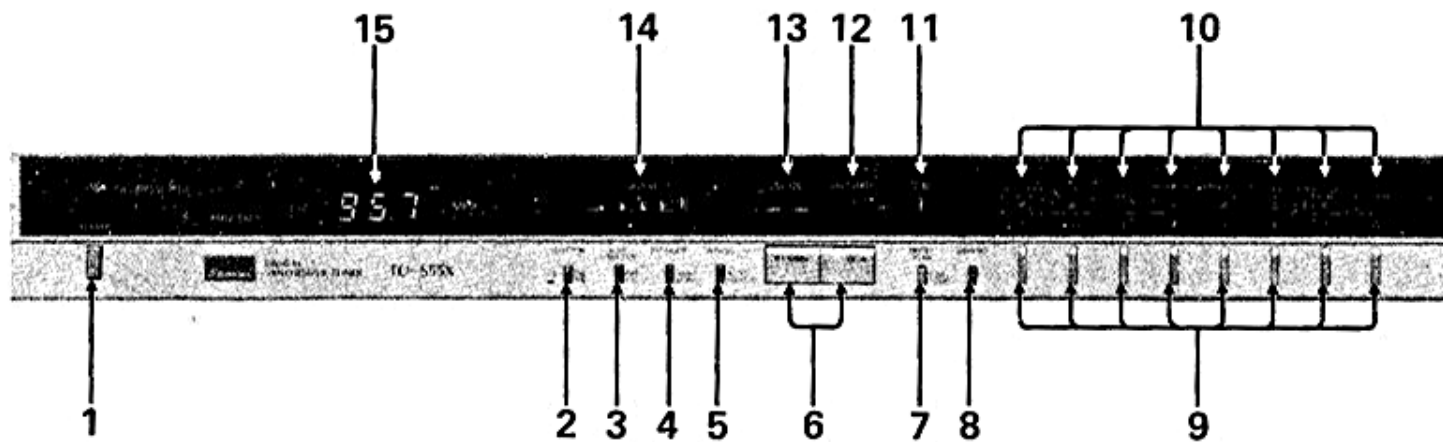
Bei Anschluß des Gerätes an eine Haushaltssteckdose wird die Wechselstromsteckdose auf der Geräterückseite (AC OUTLET) mit Strom versorgt.

- * Die maximale Kapazität dieser Steckdose beträgt 100 Watt. Es ist äußerst gefährlich, ein elektrisches Gerät mit einer Leistungsaufnahme, die diesen Nennwert überschreitet, an diese Steckdose anzuschließen. Vor dem Anschluß immer die Nennleistung überprüfen.

ANMERKUNG: Je nach den örtlich geltenden Gesetzen und Bestimmungen werden für manche Importgebiete auch Geräte ohne Netzausgangsbuchsen geliefert. Außerdem ist die Form und Kapazität der Netzausgangsbuchsen je nach Verkaufsgebiet verschieden.

Schalttafelinformation

• Die Photos und Illustrationen zeigen ein Gerät mit einer silberfarbenen Frontplatte.



1 Netzschalter (POWER)

Bei Drücken dieses Schalters wird das Gerät mit Strom versorgt; bei nochmaligem Drücken wird die Stromzufuhr abgeschaltet.

2 Bandbereichs-Wahlschalter (SELECTOR)

Dient zur Wahl zwischen UKW- und MW-Bandbereich. Die ausgerastete "FM"-Position ist für UKW-Empfang, die gedrückte "AM"-Position für MW-Empfang.

3 Rauschunterdrückungsschalter (NOISE CANCELER)

Bei Empfang einer UKW-Stereosendung wird der Empfang manchmal durch hochfrequentes Rauschen beeinträchtigt. Durch Einstellen dieses Schalters auf ON (Ein) kann solches Rauschen weitgehend reduziert werden. Dabei kann es jedoch vorkommen, daß die Stereotrennung des linken und rechten Kanals geringfügig beeinträchtigt wird. Dieser Schalter sollte daher auf Stellung OFF (Aus) bleiben, wenn das Rauschen nicht störend ist.

* Bei MW- oder UKW-Mono-Empfang funktioniert dieser Schalter nicht.

4 UKW-Betriebsartenschalter (FM MODE)

Dieser Schalter ermöglicht das Umschalten zwischen den UKW-Betriebsarten "AUTO" und "MONO" sowie das Ein- oder Ausschalten des UKW-Muting-Schaltkreises. Gewöhnlich wird dieser Schalter auf die "AUTO"-Position gestellt, in der UKW-Sendungen in Stereo und UKW-Mono-Sendungen in Mono gehört werden. Außerdem wird der Muting-Schaltkreis aktiviert, um unangenehmes Abstimmrauschen zu unterdrücken und den Abstimmvorgang zu erleichtern.

Den Schalter auf die gedrückte "MONO"-Position stellen, wenn eine UKW-Sendung mit so schwach einfallenden Signalen empfangen wird, daß diese ebenfalls durch den Muting-Schaltkreis unterdrückt werden.

5 Abstimmbetriebsarten-Schalter (TUNING)

Mit diesem Schalter wird die Abstimmbetriebsart beim Abstimmen eines Senders gewählt. Für Abstimmautomatik diesen Schalter auf AUTO, für manuelle Abstimmung oder bei schwach einfallenden Signalen auf MANUAL stellen.

6 Abstimmtasten (TUNING)

Senderfrequenzen werden durch Drücken dieser Tasten abgestimmt. Je nach Einstellung des Abstimmbetriebsarten-Schalters (TUNING) werden Sender entweder in der automatischen oder manuellen Betriebsart abgestimmt.

Abstimmautomatik: Bei Einstellung des Abstimmbetriebsarten-Schalters auf AUTO erfolgt der Abstimmvorgang automatisch. Bei Drücken der Aufwärts-Taste (UP) wird die Empfangsfrequenz erhöht, bei Drücken der Abwärts-Taste (DOWN) wird sie verringert. Die Abstimmautomatik tritt in Funktion, wenn die jeweilige Taste betätigt wird, und hält an, sobald ein Sender abgestimmt ist.

Manuelle Abstimmung: Wenn der Abstimmbetriebsarten-Schalter (TUNING) auf MANUAL gestellt wird, können Sender von Hand abgestimmt werden.

Bei jedem Drücken der Auswärts-Taste (UP) wird die Empfangsfrequenz bei UKW-Empfang um 100 kHz, bei MW-Empfang um 10 kHz oder 9 kHz (je nach Verkaufsgebiet ist der Kanalabstand auf einen dieser beiden Raster eingestellt) erhöht. Die Empfangsfrequenz wird fortlaufend erhöht, wenn die Taste gedrückt gehalten wird, und der Suchlauf hält an, sobald die Taste losgelassen wird. Bei Drücken der Abwärts-Taste (DOWN) verringert sich die Empfangsfrequenz auf die gleiche Weise.

7 Vorwahlsender-Suchlaufschalter (PRESET SCAN)

Mit diesem Schalter können die in den Vorwahlsendertasten (PRESET STATION) (1) bis (8) gespeicherten Sender nacheinander abgerufen werden.

Bei Drücken des Schalters werden die voreingestellten Sender in der Reihenfolge (1)→(2)→(3)→... (8)→(1)→(2) usw. jeweils 4 Sekunden lang abgestimmt, so daß die Programme dieser Sender überprüft werden können.

Bei erneutem Drücken dieses Schalters wird die Vorwahlsender-Suchlauffunktion aufgehoben und der zuletzt gehörte Sender bleibt abgestimmt.

8 Speichertaste (MEMORY)

Wenn eine Sendervorwahltaste (PRESET STATION) mit dem gegenwärtig abgestimmten Sender belegt werden soll, diese Taste gedrückt halten und gleichzeitig die Speichertaste (MEMORY) drücken, wonach der betreffende Sender in dieser Taste gespeichert wird. Der Speicherindikator (MEMORY) erscheint auf der Frequenzanzeige (FREQUENCY), wenn diese Taste gedrückt wird.

9 Stationsvorwahltasten (PRESET STATION)

In jeder dieser Tasten kann je eine UKW- und MW-Station gespeichert (vorgewählt) und durch den Bandbereichs-Wahlschalter gewählt werden. Nach der Vorwahl einer Station wird sie durch einfaches Drücken der entsprechenden Stationsvorwahltaste abgerufen.

10 Vorwahlsender-Anzeigen (PRESET STATION)

Bei Vorwahlsender-Suchlaufbetrieb, oder wenn ein Sender durch Drücken einer der Vorwahltasten (PRESET STATION) abgestimmt wird, leuchtet die entsprechende Anzeige auf.

11 Suchlaufanzeige (SCAN)

Diese Anzeige leuchtet bei Vorwahlsender-Suchlaufbetrieb auf.

12 UKW-Stereoanzeige (FM STEREO)

Wird der UKW-Betriebsartenschalter auf "AUTO" gestellt und eine UKW-Station abgestimmt, so leuchtet diese Anzeige auf um anzuzeigen, daß die Sendung stereophonisch empfangen wird.

Wird der UKW-Betriebsartenschalter auf "MONO" gestellt, so leuchtet die Anzeige selbst bei Empfang einer Stereosendung nicht auf.

13 Sperranzeige (LOCKED)

Beim Abstimmen eines Senders leuchtet diese Anzeige auf, wenn die Frequenz auf dem optimalen Abstimmpunkt verriegelt wird. Dadurch wird die bestmögliche Empfangsqualität gewährleistet. Diese Anzeige leuchtet jedoch nicht auf, wenn das Empfangssignal zu schwach oder der Eingang von der Antenne unzureichend ist.

14 Feldstärkeanzeige (SIGNAL)

Bei Abstimmung einer Station leuchtet diese Anzeige auf, um die Stärke der von der Antenne aufgefangenen Signale anzuzeigen.

15 Frequenzanzeige (FREQUENCY)

Die Empfangsfrequenz wird auf der Digitalanzeige angezeigt. Bei UKW-Empfang wird die Empfangsfrequenz in MHz-Einheiten, bei MW-Empfang in kHz-Einheiten angezeigt.

Bedienungsverfahren

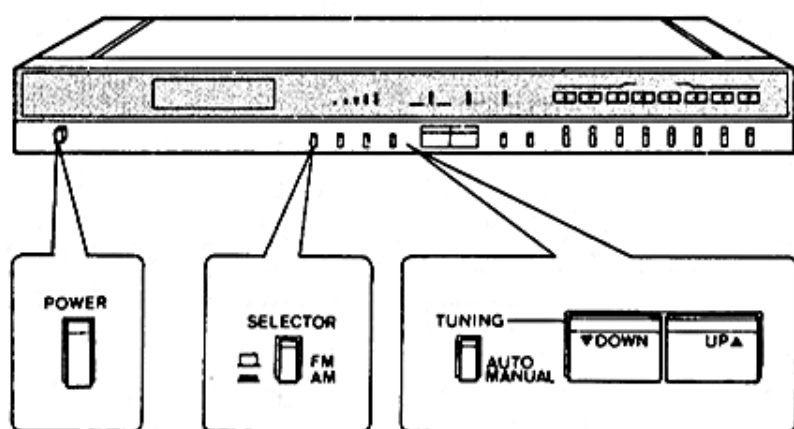
Standardbetrieb

1. Den Netzschalter drücken und das Gerät einschalten.
2. Den gewünschten Bandbereich (UKW oder MW) mit dem Bandbereichs-Wahlschalter einstellen. Diesen Schalter für UKW-Empfang auf die gedrückte "FM"-Position und für MW-Empfang auf die ausgerastete "AM"-Position stellen.
3. Die Abstimm-tasten zum Abstimmen des Senders drücken.

Abstimmautomatik: Den Abstimmbetriebsarten-Schalter (TUNING) auf AUTO stellen. Bei Drücken der Aufwärts- (UP) oder Abwärts-Taste (DOWN) beginnt der Abstimmvorgang automatisch und hält an, sobald ein Sender abgestimmt ist. Ist dies nicht der gewünschte Sender, die Taste nochmals drücken, um den Abstimmvorgang fortzusetzen. Diesen Vorgang wiederholen, bis der gewünschte Sender empfangen wird.

Manuelle Abstimmung: Sender mit schwachen Signalen lassen sich u. U. nicht automatisch abstimmen. In einem solchen Fall muß die Abstimmung manuell vorgenommen werden. Dazu den Abstimmbetriebsarten-Schalter (TUNING) auf MANUAL stellen. Dann die Aufwärts- (UP) oder Abwärts-Taste (DOWN) gedrückt halten, gleichzeitig die Empfangsfrequenz auf der Frequenzanzeige (FREQUENCY) beobachten und die gewünschte Frequenz durch mehrmaliges Drücken und Loslassen der Taste abstimmen, sobald die Nähe des gesuchten Senders erreicht wird.

4. Lautstärke und Klangfarbe mit den Reglern des Stereoverstärkers wunschgemäß einstellen.

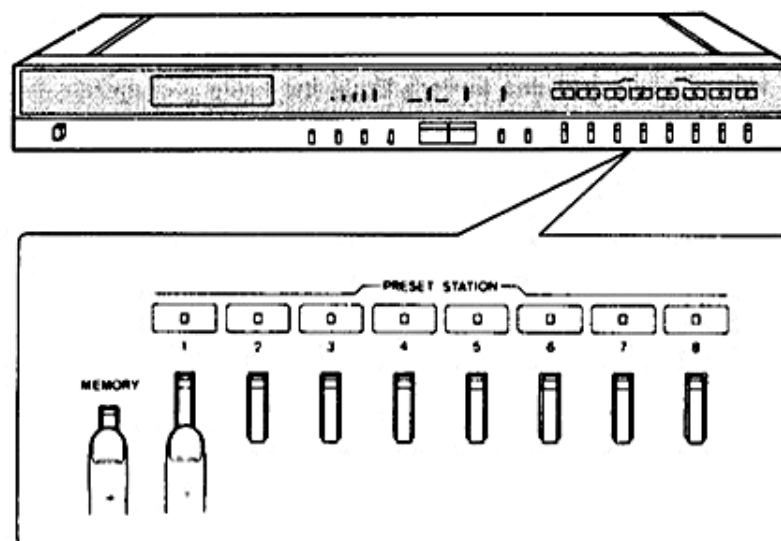


- * Bei Empfang einer UKW-Stereosendung leuchtet die UKW-Stereoanzeige (FM STEREO) auf.
- * Wenn ein Sender abgestimmt ist, leuchtet die Feldstärkeanzeige (SIGNAL) auf und gibt die Signalstärke an. Die Sperranzeige (LOCKED) leuchtet auf, um zu signalisieren, daß der Sender auf der betreffenden verriegelt ist. Bei schwach einfallenden Empfangssignalen leuchtet die Sperranzeige (LOCKED) u. U. nicht auf.
- * Das automatische Abstimmen hört erst dann auf, wenn ein Sender abgestimmt ist. Um diesen Vorgang vorher zu unterbrechen, den Abstimmbetriebsarten-Schalter drücken.
- * Wird der UKW-Betriebsartenschalter beim Empfang einer Station mit schwachen Signalen auf "AUTO" gestellt, so kann es vorkommen, daß durch die Aktivierung des UKW-Muting-Schaltkreises kein Ton gehört wird. In einem solchen Fall den UKW-Betriebsartenschalter auf die "MONO"-Position drücken und das Programm in Mono hören.

Stationsvorwahl

Werden häufig gehörte Sender vorher mit den Stationsvorwahl-tasten vorgewählt, so können sie später auf einfachen Tastendruck abgerufen werden.

1. Gemäß Schritten 1 bis 3 des Abschnittes "Standardbetrieb" vorgehen, um die Station abzustimmen, die vorgewählt werden soll.
2. Wird die Stationsvorwahl-taste bei schon gedrückter Speichertaste gedrückt, so leuchtet die Vorwahlsender-Anzeige über der Taste auf, und die abgestimmte Station ist jetzt vorgewählt. Damit ist dieser Vorgang abgeschlossen.



- * Bei Vorwahl einer anderen Station in einer Stationsvorwahl-taste, die schon eine Frequenz enthält, wird die früher vorgewählte Station dadurch automatisch gelöscht.
- * Jede Stationsvorwahl-taste kann je eine UKW- und eine MW-Station speichern. Den UKW- oder MW-Bandbereich mit dem Bandbereichs-Wahlschalter wählen.
- * Selbst bei Stromausfall werden die voreingestellten Sender nicht gelöscht.
- * Dieses Gerät verfügt über eine Letztsender-Speicherfunktion, die die vor dem Abschalten des Gerätes zuletzt gehörte Station speichert. Nach dem erneuten Einschalten des Gerätes dient diese Funktion zum automatischen Empfang der gleichen Station.

Vorwahlsender-Suchlauffunktion

Diese Funktion ist sehr praktisch, um die Programme der in den Sender-vorwahl-tasten (PRESET STATION) gespeicherten Sender der Reihe nach zu überprüfen, bevor ein Sender abgestimmt wird.

Wird der Vorwahlsender-Suchlaufschalter (PRESET SCAN) bei Empfang eines Senders gedrückt, so leuchtet die Suchlaufanzeige auf und die voreingestellten Sender werden automatisch nacheinander in der Reihenfolge (1) → (2) → (3) → ... (8) → (1) → (2) usw. jeweils 4 Sekunden lang abgestimmt. Dabei leuchten die entsprechenden Vorwahlsender-Anzeigen (PRESET STATION) ebenfalls der Reihe nach auf.

Auf diese Weise können Sie den gewünschten Sender wählen, indem Sie das Programm aller Vorwahlsender kontrollieren. Sobald Sie sich für ein bestimmtes Programm entschieden haben, drücken Sie den Vorwahlsender-Suchlaufschalter (PRESET SCAN) nochmals, wonach der zuletzt gehörte Sender abgestimmt bleibt.

Bei UKW-Empfang werden nur UKW-Sender bei Suchlaufbetrieb abgestimmt, bei MW-Empfang nur MW-Sender.

Einige nützliche Hinweise

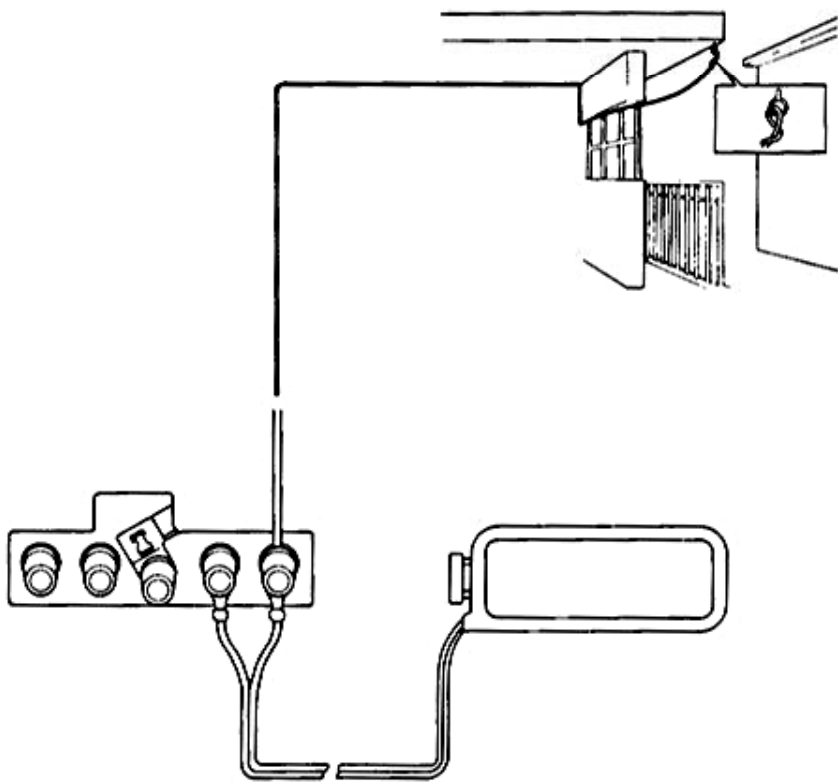
MW-Außenantenne

Bei Empfang von Signalen eines schwach einfallenden MW-Senders wird der Ton von anderen Stationen verdrängt und Rauschen tritt auf. Diese Signale sind besonders bei Empfang im Innern eines Gebäudes schwächer als bei Empfang im Freien, während es außerdem zu einer Verstärkung des Rauschens durch andere elektrische Geräte kommen kann. In einem solchen Fall folgendermaßen vorgehen:

1. Die Ausrichtung der Rahmenantenne verändern, um die Position mit dem besten Empfang ausfindig zu machen.
2. Netzkabel und Lautsprecherkabel von der Rahmenantenne weg bewegen.
3. Eine Veränderung des Aufstellungsortes versuchen.

Läßt sich der Empfang durch diese Maßnahmen nicht verbessern, einen isolierten Leitdraht und den Leitdraht der Rahmenantenne zusammendrehen, ein Ende an die MW-Antennen-Anschlußklemmen (AM LOOP) anschließen und das andere Ende ins Freie verlegen.

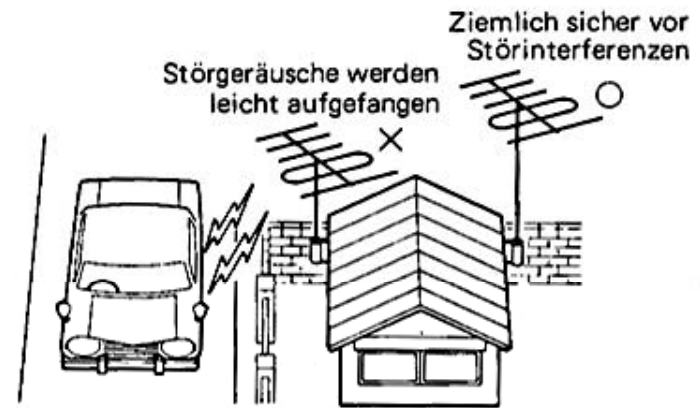
- * Selbst bei Installation einer MW-Außenantenne die Rahmenantenne nicht vom Gerät ablösen. Wird die Rahmenantenne entfernt, ist kein Empfang von MW-Stationen möglich.



Installierung der UKW-Antenne

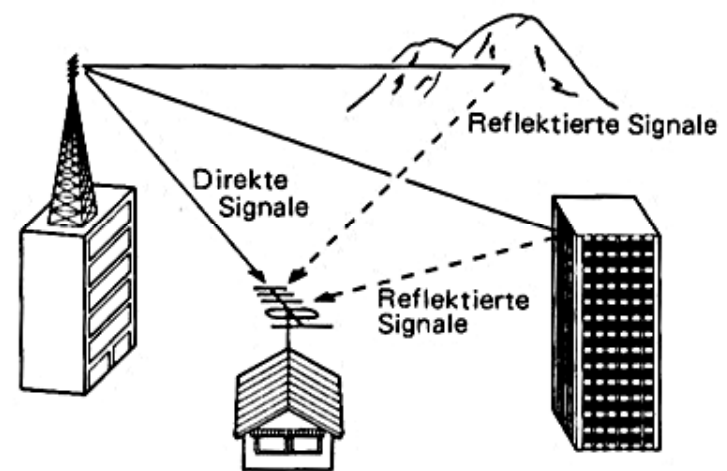
Der Aufstellungsort der UKW-Antenne muß im Hinblick auf stabilen UKW-Empfang sorgfältig ausgewählt werden. Zum Auffinden des optimalen Aufstellungsortes die folgenden Hinweise berücksichtigen:

- * Ein idealer Aufstellungsort ist zum direkten Empfang der UKW-Stationssignale hoch gelegen und wird nicht von hohen Gebäuden überschattet.
- * Um Zündgeräusche von Automotoren zu vermeiden, sollte die Antenne von der Straße weg installiert werden. Auch sollte sich der Aufstellungsort in einiger Entfernung von Hochspannungsleitungen befinden.
- * Die Antenne mit einem Mindestabstand von 2 Metern von einem Metalldach oder anderen Antennen installieren.



Reflexions-Verzerrung

Genau wie Licht bewegen sich UKW-Signale in geraden Linien und werden von Hindernissen in ihrem Weg reflektiert. Aus diesem Grund fängt die Antenne manche Signale direkt von der Sendeantenne auf, und andere Signale, nachdem sie von Bergen oder Gebäuden reflektiert werden. Werden beide Arten von Signalen gleichzeitig empfangen, so entsteht eine Verzerrung des Klangs und die Kanaltrennung wird beeinträchtigt. Dieses Phänomen wird "Reflexions-Verzerrung" genannt und ist Störbildern auf einem Fernsehschirm ähnlich. Reflexions-Verzerrung kann durch die Wahl einer Antenne mit scharfen Hauptstrahlwinkel-Eigenschaften und durch optimale Wahl des Aufstellungsortes auf ein Mindestmaß gesenkt werden.



Ausrichtung der UKW-Antenne

Die Richtung ausfindig machen, die optimalen Empfang ermöglicht. Dies geschieht am besten beim Hören einer UKW-Sendung. Zum Auffinden der Antennenrichtung, die der Beeinflussung durch Reflexions-Verzerrung am wenigsten ausgesetzt ist, Verstärker und Lautsprecher anschließen, den Höhenregler des Verstärkers auf die Maximumstellung einstellen, den Empfangston mit relativ hohem Pegel hören, und die Antenne auf die Richtung ausrichten, in der Rausch- und Brummgeräusche sowie Verzerrung am geringsten sind.

UKW-Außenantenne und Zuleitung

UKW-Außenantennen und Hauptstrahlwinkel

Für hochwertigen UKW-Empfang mit minimalem Rauschen sollte eine UKW-Außenantenne installiert werden. Dadurch wird der UKW-Empfang besonders an Orten verbessert, die von hohen Gebäuden oder Bergen umgeben sind.

Mit der Erhöhung der Anzahl von Antennenelementen nimmt auch die Schärfe des Hauptstrahlwinkels von UKW-Antennen zu. Da sie hauptsächlich zum Empfang von Signalen aus einer gewünschten Richtung dienen, fangen sie nicht leicht die Signale aus anderen Richtungen auf, so daß die Reflexions-Verzerrung verringert wird. Auch nimmt die Antennenverstärkung (Empfindlichkeit) in direktem Verhältnis zur Anzahl der Antennenelemente zu, so daß der Fernempfang verbessert wird. Den Antennentyp gemäß der Entfernung vom Sender und den Bedingungen des Empfangsortes wählen.

Zuleitungen

Es gibt zwei Arten von Zuleitungen für den Anschluß einer UKW-Außenantenne an den Tuner: Die 300 Ohm-Doppelspeiseleitung und das 75 Ohm-Koaxialkabel.

Die 300 Ohm-Doppelspeiseleitung läßt sich leicht anwenden, ist aber für Fremdgeräusche empfindlich. Die Konstruktion des 75 Ohm-Koaxialkabel ist robust mit minimaler Alterung, wodurch es in stärkerem Maße gegen Fremdgeräusche immun wird.

Sansui desea agradecerle la compra de este fino producto de alta fidelidad. Antes de ponerlo en uso, nos permitimos sugerirle que lea detenidamente este manual de instrucciones, para familiarizarse con las precauciones a tener en cuenta, procedimientos de manejo y cada una de sus muchas ventajas. Esto evitará que Vd. pueda dañarlo accidentalmente y le permitirá aprovechar al máximo todas sus cualidades y disfrutarlo por años y años de uso.

Precauciones

- * Tener presente los puntos siguientes.

Enchufe de la alimentación

Al desconectar el cable de la alimentación de la toma de la red, tomarlo siempre por el enchufe, y no tirar del cable. No conectar ni desconectar nunca el enchufe de la alimentación con las manos mojadas porque podría recibir descargas eléctricas.

- * Recuérdese que hay que desconectar el cable de la alimentación de la toma de la red cuando no se tiene la intención de utilizar el aparato durante períodos prolongados.

No extraer la caja ni el panel inferior

Cualquier clase de inspecciones o de ajustes en el interior del aparato pueden ocasionar mal funcionamiento o descargas eléctricas. No tocar ninguna de las partes del interior. La garantía de SANSUI queda anulada si se deteriora el rendimiento del aparato debido a reformas en su interior.

Precauciones para la instalación

No instalar el aparato en ninguno de los siguientes lugares, ya que se podría degradar su rendimiento o podrían causar mal funcionamiento:

- * Lugares expuestos a la luz directa del sol o cerca de objetos radiadores de calor como puedan ser estufas.
- * Lugares con humedad.
- * Lugares con mala ventilación expuestos al polvo y a la suciedad.
- * Lugares inestables y que no son perfectamente planos o que son susceptibles a vibraciones.
- * Encima de un amplificador de salida de alta potencia, de componentes de sonido que contengan lámparas o de cualquier otro producto que radie calor.

No frotarlo con disolventes

Frontar los paneles y la caja de vez en cuando con un paño suave. Si se emplea disolvente, alcohol o líquidos volátiles se pueden dañar las superficies, deformar el exterior o borrar las marcas, por lo que deberán evitarse.

Do utilizar insecticidas con pulverizador en sus proximidades.

Especificaciones

Sección de FM

Bande de frecuencia	88 a 108 MHz
Sensibilidad útil	
IHF mono	10,8 dBf (1,9 μ V : T100)
DIN mono	0,95 μ V
Umbral de sensibilidad para 50 dB	
Mono	16,0 dBf
Estéreo	36,0 dBf
Relación señal-ruido a 65 dBf	
Mono	85 dB
Estéreo	79 dB
Distorsión a 65 dBf	
Mono	menos del 0,05% a 1,000 Hz
Estéreo	menos del 0,08% a 1,000 Hz
Selectividad entre canales adyacentes (a 400 kHz)	
.....	60 dB
Relación capturar	1,0 dB
Relación de respuesta imagen	75 dB
Relación de respuesta espurio	90 dB
Separación estereofónica	40 dB a 100 Hz
	50 dB a 1,000 Hz
	40 dB a 10,000 Hz
Respuesta de frecuencia	
Estéreo	30 a 15,000 Hz
	+0,3 dB, -0,8 dB
Impedancia de entrada en la antena...	300 ohmios equilibrada
	75 ohmios desequilibrada

Sección de AM

Bande de frecuencia	530 a 1,600 kHz
Sensibilidad útil	50 dB/m (316 μ V/m)
Relación señal-ruido	50 dB
Relación de respuesta imagen	45 dB a 1,000 kHz

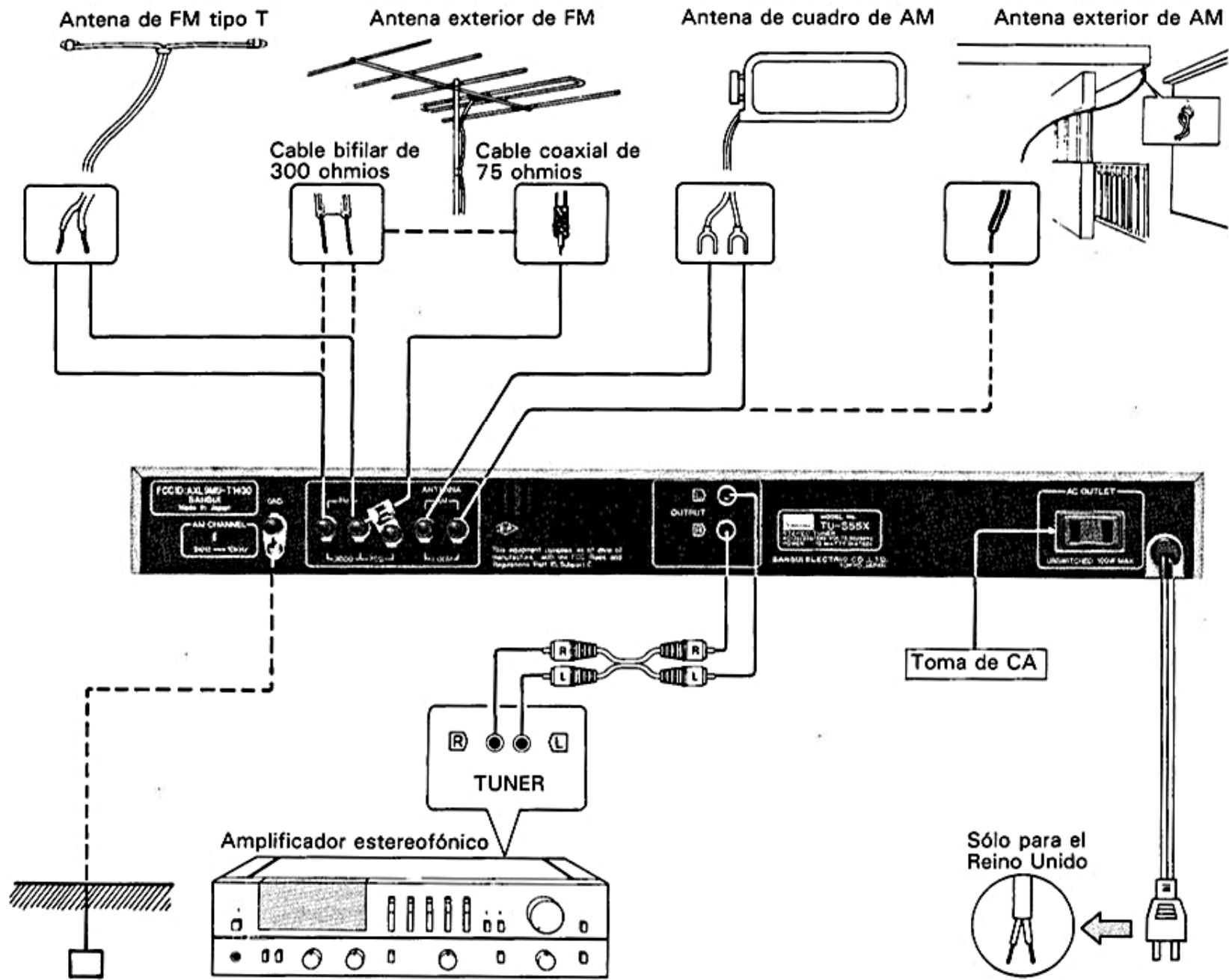
Otros

Tensión e impedancia de salida	775 mV/2,2 kilo-ohmios
Alimentación	120/220/240V
	50/60 Hz
Para EE. UU y Canadá	120V (60 Hz)
Consumo	12W
Dimensiones	430 mm An.
	51 mm Al.
	261 mm Prof.
Peso	2,8 kg netos
	3,6 kg con embalaje

- * Diseño y especificaciones sujetos a cambio sin previo aviso.
- * Con el objeto de simplificar las explicaciones, algunas veces las ilustraciones pueden diferir de los originales.

Conexiones

* El enchufe del cable de alimentación puede variar hasta cierto punto de acuerdo con el país de venta, leyes vigentes y regulaciones.



Precauciones para las conexiones

- * Cuando se efectúen las conexiones, desenchufar el enchufe de la alimentación de la toma de la red o desconectar el interruptor de la alimentación del aparato con el interruptor de la alimentación (POWER).
- * Insertar bien las clavijas. Malas conexiones pueden ocasionar generación de ruido.
- * Si el cable de entrada de la antena conectada está en contacto con otras partes o si se conecta incorrectamente, la recepción puede degradarse y generarse ruidos.

Conexión con un amplificador estereofónico

Conectar los terminales de salida (OUTPUT) del aparato a los terminales de sintonizador (TUNER) del amplificador con el cable de cablijas accesorio.

Cerciorarse de que los canales izquierdo y derecho se conectan correctamente (L a L, R a R.)

Será también conveniente enchufar el cable de alimentación del aparato a la toma de CA (SWITCHED) del amplificador.

Sólo para el Reino Unido

Importante

Los conductores de este cable de alimentación tienen colores de acuerdo con el código siguiente:

Azul: Neutro
Marrón: Activo

Si los colores de los conductores del cable de alimentación de este equipo no correspondieran con las marcas de colores que identifican los terminales de su clavijam proceder del modo siguiente:

El conductor de color azul debe conectarse al terminal que está marcado con la letra 'N' o sea de color negro.

El conductor de color marrón debe conectarse al terminal marcado con la letra 'L' o sea de color rojo.

Cerciorarse de que el equipo esté correctamente conectado. Si Tiene alguna duda, consulte a un electricista cualificado.

Para los equipos adquiridos fuera del Reino Unido con clavija "EUROPEA" de dos terminales, deberá sacarse la clavija y efectuarse las conexiones de acuerdo con las instrucciones arriba mencionadas. Cerciorarse también de que el equipo esté correctamente ajustado para operación con 240 voltios.

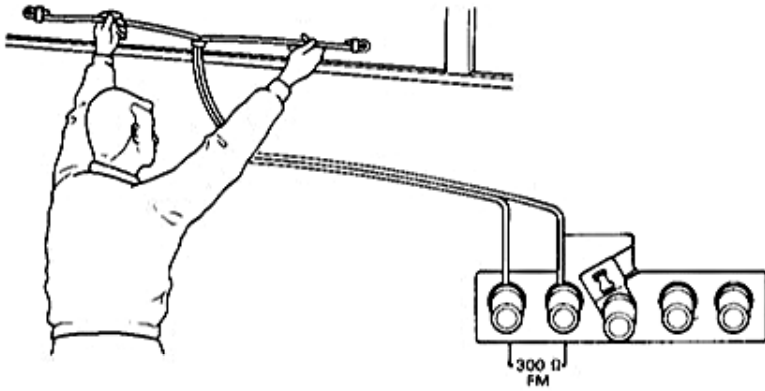
Si tiene alguna duda, consulte a un electricista cualificado o a nuestro agente de servicio en el Reino Unido.

Conexión de la antena de FM

Instalar una antena exterior de FM para conseguir una buena recepción en FM con el mínimo de ruido. La antena de FM accesoria en forma de T se sirve para poder recibir las emisoras de FM provisionalmente hasta que se instale la antena de FM exterior.

Conexión de la antena de FM tipo T

Conectar la antena a los terminales de antena de FM de 300 ohmios, extender ambos extremos en forma de "T", buscar la posición y dirección que proporcionen la mayor recepción posible y fijar la antena al techo o a una pared. Fijarla lo más alta posible. La recepción será inestable si la antena se instala en una posición baja o en lugares por donde la gente pasa constantemente.



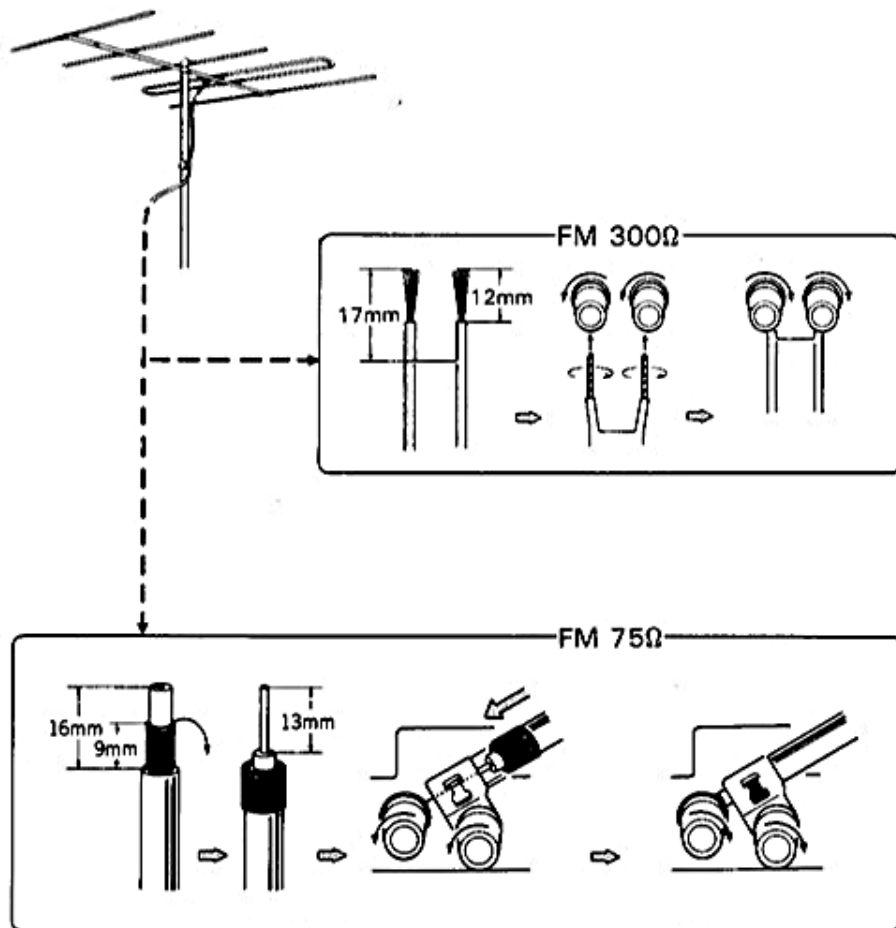
- * Extraer la antena tipo T una vez se haya instalado la antena exterior de FM.

Conexión de la antena exterior de FM

Hay dos tipos de cables de entrada para la conexión de una antena exterior con el sintonizador: uno es el cable coaxial de 75 ohmios y el otro es el cable bifilar de 300 ohmios.

Conexión del cable coaxial de 75 ohmios: Desferrar y dar forma a los extremos del cable coaxial tal y como se muestra en la figura y conectarlos a los terminales de antena de FM de 75 ohmios.

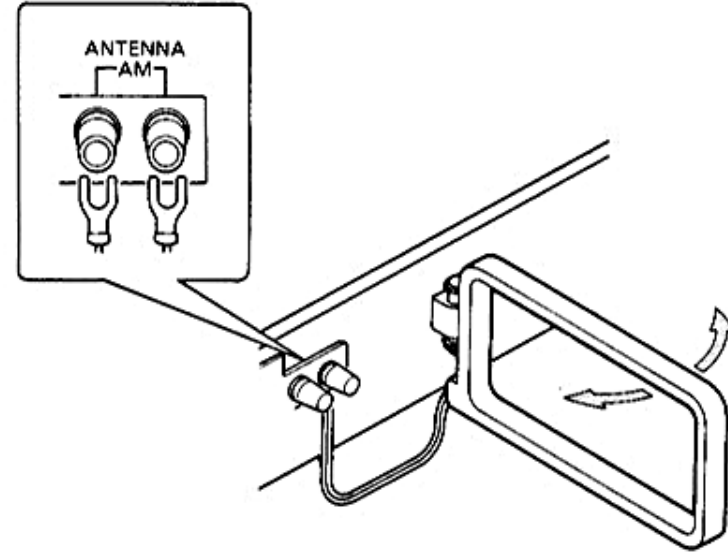
Conexión del cable bifilar de 300 ohmios: Desferrar y dar forma a los extremos del cable bifilar, tal y como se muestra en la figura, y conectarlos a los terminales de antena de FM de 300 ohmios.



- * Mantener el cable de entrada distanciado de los cables de alimentación y de las luces. El cable sobrante deberá cortarse en lugar de enrollarse.

Conexión de la antena de cuadro de AM

Conectar el cable de la antena de cuadro de AM a los terminales AM LOOP ANTENNA del panel posterior del aparato y poner la antena en un soporte de antena como se muestra en la figura. Mover la antena para encontrar la posición que ofrezca la mejor recepción posible.



- * La recepción de AM no es posible estando la antena de cuadro desconectada. Aunque se instale una antena de AM exterior, mantener conectada esta antena de cuadro.
- * No poner los cables de alimentación o de los altavoces cerca de la antena de cuadro porque podría generarse ruido.
- * La recepción puede ser inestable si se instala la antena de cuadro muy cerca de la pared. Instalar la antena un poco apartada de la pared.

Planes de asignación de canales de AM

Los programas de AM se difunden bajo planes de asignación de canales que, dependiendo de la zona de difusión en el mundo, están caracterizados por diferentes canales (intervalo de las frecuencias) entre las emisoras difusoras. En Norteamérica, Centroamérica y Sudamérica este canal es de 10 kHz mientras que en el resto del mundo es de 9 kHz. Su aparato es un sintonizador sintetizador que varía la frecuencia de recepción en el canal de 9 kHz ó de 10 kHz (intervalos de frecuencias) durante la recepción. Si se utiliza el aparato en zonas con diferente asignación de canales, no se podrán recibir las emisoras de AM. El aparato que usted ha adquirido ha sido ajustado al canal de su país. Es, por lo tanto, necesario cambiar el ajuste del canal si se traslada a otra zona con diferente asignación de canales.

1. Desconectar la alimentación del aparato.
 2. Deslizar el selector de canal de AM (AM CHANNEL), situado en la parte posterior del aparato, a la posición correspondiente.
- * Pregunte al distribuidor o centro de servicio autorizado Sansui si el aparato no tiene tal selector AM CHANNEL.

PRECAUCIÓN: Dependiendo del área de ventas, el aparato puede estar o no estar provisto del selector AM CHANNEL.

Toma de CA (AC OUTLET)

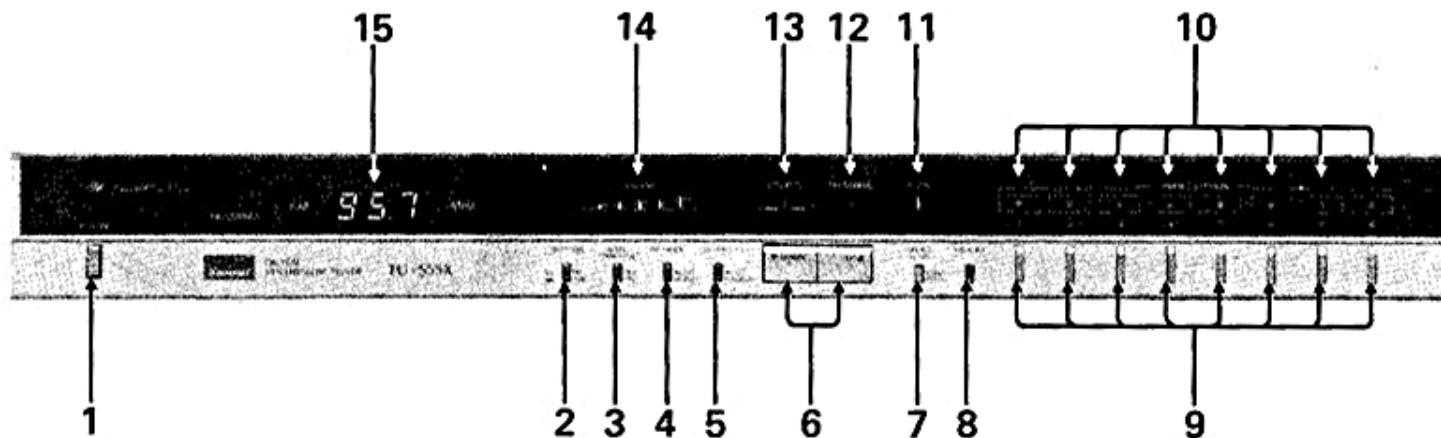
La alimentación se suministra a la toma de CA (AC OUTLET) del panel posterior cuando se conecta el cable de alimentación a la toma de la red de CA.

- * La capacidad máxima de esta toma es de 100 vatios. Si se conectan equipos con un consumo de energía que exceda este valor, puede resultar muy peligroso. Comprobar los consumos antes de efectuar las conexiones.

NOTA: De acuerdo con leyes y regulaciones locales, los modelos destinados a algunos países no poseen salidas de CA; por la misma razón, la capacidad y forma de estas salidas puede variar un poco.

Controles y funciones

* Las fotos e ilustraciones muestran un aparato con panel plateado.



1 Interruptor de la alimentación (POWER)

Al presionar este interruptor se conecta la alimentación al aparato, y al presionarlo de nuevo se desconecta.

2 Selector (SELECTOR)

Selecciona las bandas de FM y de AM. La posición suelta es para recepción de FM, y la posición presionada es para AM.

3 Supresor de ruido (NOISE CANCELER)

Cuando se tiene sintonizada una emisora de FM estereofónica, la recepción puede resultar desagradable a causa del ruido de alta frecuencia. Poniendo este supresor en la posición ON se elimina una gran parte del ruido. Sin embargo, en estos casos, la separación estereofónica de los canales izquierdo y derecho puede quedar un poco afectada. Cuando el ruido no es perturbador, poner el supresor en la posición OFF.

* Este supresor no funciona en el caso de radiodifusiones de AM o de FM MONO.

4 Selector de modo de FM (FM MODE)

Este selector cambia los modos de AUTO y MONO FM y activa y desactiva (ON/OFF) el circuito de silenciamiento de FM.

Normalmente se mantiene en la posición AUTO. En esta posición, las radiodifusiones de FM se oyen en estéreo y las radiodifusiones de FM monofónicas en monoaural. También, el circuito de silenciamiento se activa para cortar el ruido existente entre las emisoras y hacer más agradable la operación de sintonización.

Poner el selector en la posición MONO (presionado) cuando se desee escuchar una radiodifusión estereofónica en el modo monoaural o cuando se sintoniza una emisora de FM con señal débil, que queda cortada con el ruido por el circuito de silenciamiento.

5 Selector de modo de sintonización (TUNING)

Es para seleccionar el modo de sintonización de las emisoras. Ponerlo en la posición AUTO para sintonización automática, y en la posición MANUAL para sintonizar manualmente o en caso de emisoras distantes.

6 Botones de sintonización (TUNING)

Las frecuencias de las emisoras se sintonizan presionando estos botones durante la operación de sintonización. Dependiendo del ajuste del selector de modo de sintonización (TUNING), las emisoras podrán captarse en el modo automático o manual.

Sintonización automática: Cuando el selector de sintonización (TUNING) está en la posición AUTO, la sintonización es automática.

Presionando el botón UP aumenta la frecuencia de recepción y al presionar el botón DOWN se reduce. La sintonización automática se inicia cuando se presiona el botón y se detiene así que se sintoniza la emisora.

Sintonización manual: Cuando el selector de modo de sintonización (TUNING) está en la posición MANUAL, la sintonización es manual.

Cada vez que se presiona el botón UP, la frecuencia de recepción aumenta en 100 kHz para FM y en 10 kHz ó 9 kHz para AM (dependiendo del país se sirve con el ajuste correspondiente). La frecuencia de recepción aumenta cuando el botón se mantiene presionado, y se detiene cuando se suelta. Cuando se mantiene presionado el botón DOWN, la frecuencia se reduce de forma similar.

7 Selector de exploración de emisoras preajustadas (PRESET SCAN)

Este selector monitoriza consecutivamente las emisoras preajustadas en los interruptores (1) al (8) de emisoras preajustadas (PRESET STATION).

Cuando se presiona, sintoniza las emisoras preajustadas en dichos selectores, cada una con un intervalo de 4 segundos, siguiendo el orden de (1)→(2)→(3)→... (8)→(1)→(2), permitiéndole monitorizar los programas radiofónicos. Si se presiona de nuevo este selector, la función de exploración se desactiva y se detiene en la emisora sintonizada en ese momento.

8 Interruptor de la memoria (MEMORY)

Cuando usted desee utilizar el selector de preajuste de emisoras para sintonizar una nueva emisora que se esté entonces escuchando, presionar el interruptor de emisora preajustada (PRESET STATION) mientras se mantiene presionado el interruptor de la memoria (MEMORY), y la emisora quedará memorizada.

El indicador MEMORY aparece en el frecuencímetro al presionar este interruptor.

9 Interruptores de emisoras preajustadas (PRESET STATION)

Pueden memorizarse una emisora de AM y otra de FM en cada uno de estos interruptores (y se seleccionan con el SELECTOR). Una vez se ha preajustado (memorizado) una emisora, todo lo que hay que hacer para sintonizarla es presionar el interruptor de emisora preajustada (PRESET STATION) correspondiente.

10 Indicadores de emisoras preajustadas (PRESET STATION)

El indicador correspondiente al selector de emisora preajustada (PRESET STATION) se ilumina durante la operación de exploración de emisoras preajustadas o al sintonizar la emisora presionando el interruptor de emisora preajustada (PRESET STATION).

11 Indicador de exploración (SCAN)

Este indicador se ilumina durante la operación de exploración de emisoras.

12 Indicador de FM en estéreo (FM STEREO)

Cuando el selector de modo de FM (FM MODE) está en la posición AUTO y se sintoniza una emisora de FM, este indicador se ilumina para indicar que la radiodifusión se está recibiendo en estéreo.

13 Indicador de enclavamiento (LOCKED)

En el momento de sintonizar una emisora, se ilumina este indicador y enclava la frecuencia de la emisora en el punto óptimo de recepción. Sin embargo, este indicador no se iluminará si la señal de la emisora es débil y la entrada de la antena es insuficiente.

14 Indicador de la potencia de la señal (SIGNAL)

Cuando se ha sintonizado una emisora, este indicador se ilumina para indicar la potencia de la señal sintonizada.

15 Frecuencímetro (FREQUENCY)

La frecuencia de recepción se indica en el frecuencímetro. Las difusiones de FM se indican en unidades de MHz y las de AM en kHz.

Instrucciones de manejo

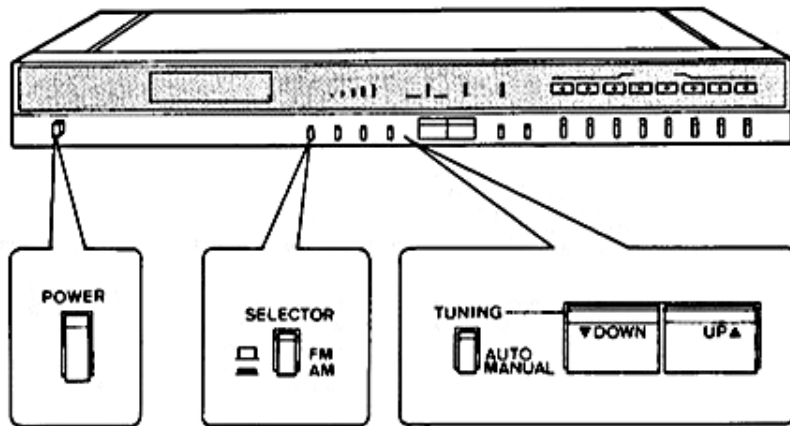
Operación básica

1. Presionar el interruptor de la alimentación (POWER) para conectar el aparato.
2. Seleccionar la banda (AM o FM) con el SELECTOR. Poner este selector en la posición suelta de FM para recepción en FM, y en la posición presionada de AM para recepción en AM.
3. Presionar los botones de sintonización (TUNING) para sintonizar la emisora.

Sintonización automática: Poner el interruptor de modo de sintonización (TUNING) en la posición AUTO. La sintonización se inicia automáticamente al presionar los botones UP o DOWN y se detiene también automáticamente cuando se sintoniza una emisora. Si ésta no es la emisora deseada, presionar de nuevo el botón para reanudar la sintonización. Repetir la operación hasta que se sintonice la emisora.

Sintonización manual: Las emisoras con señal débil no podrán sintonizarse automáticamente. En tales casos, sintonizarlas manualmente. Poner el interruptor de modo de sintonización (TUNING) en la posición MANUAL. Presionar continuamente el botón UP o DOWN mientras se mira la frecuencia de recepción en el frecuencímetro y sintonizarla frecuencia exacta presionando una vez el botón cuando se aproxime la emisora deseada.

4. Ajustar el volumen y el tono con los controles del amplificador estereofónico.

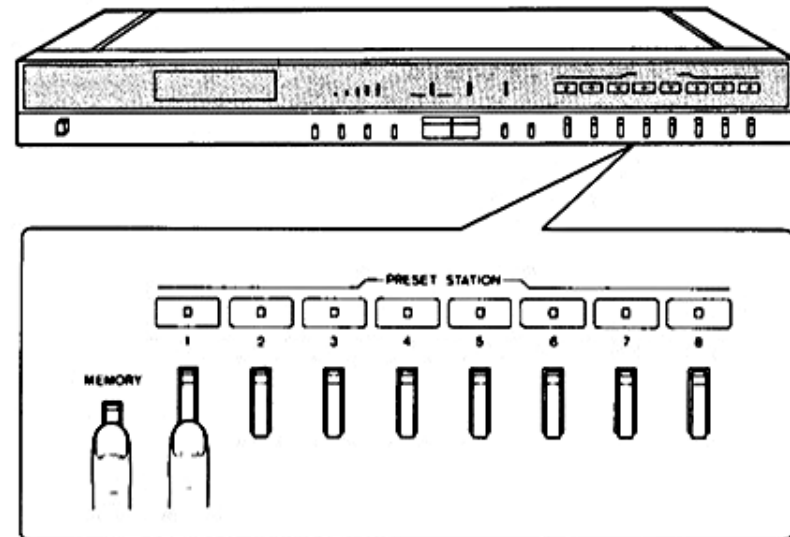


- * El indicador FM STEREO se iluminará cuando se reciban emisoras de FM estereofónicas.
- * Al sintonizar una emisora, se ilumina el indicador de potencia de la señal (SIGNAL) y se indica su potencia. El indicador LOCKED se ilumina para indicar que la frecuencia ha quedado enclavada. Sin embargo, el indicador LOCKED puede no iluminarse con emisoras distantes.
- * La sintonización automática no se detendrá hasta que se haya sintonizado una emisora. Para detener la operación, presionar el selector de modo de sintonización (TUNING).
- * Si el selector de modo de FM (FM MODE) se pone en la posición AUTO cuando se recibe una emisora de FM con señal débil, puede silenciarse el sonido debido a la activación del circuito de silenciamiento en FM. En tales casos, presionar el selector de modo de FM (FM MODE) y dejarlo en la posición MONO, y escuchar el programa monoauralmente.

Preajuste de emisoras

Se pueden sintonizar las emisoras cuyos programas se escuchan frecuentemente presionando un interruptor si se preajustan (memorizan) las frecuencias de las emisoras de antemano en los interruptores de emisoras preajustadas (PRESET STATION).

1. Sintonizar la emisora que se desee preajustar siguiendo los pasos 1 ~ 3 del apartado operación básica.
2. Cuando se presiona uno de los interruptores de emisoras preajustadas (PRESET STATION) estando el interruptor de la memoria (MEMORY) presionado, el indicador de emisora preajustada (PRESET STATION) de encima del interruptor se ilumina y la emisora sintonizada queda memorizada. Con esto se completa el procedimiento.



- * Cuando se preajusta otra emisora en un interruptor de emisora preajustada (PRESET STATION) que ya tiene una frecuencia memorizada de la misma banda, la emisora previamente memorizada queda borrada.
- * Cada interruptor de emisora preajustada (PRESET STATION) puede memorizar una emisora de AM y otra de FM. Seleccionar la banda de AM o FM con el SELECTOR.
- * Las emisoras preajustadas no se borrarán aunque se desconecte la alimentación.
- * Este aparato está provisto de la función de memoria de la última emisora que almacena la emisora que se estaba escuchando antes de desconectar la alimentación. Esta función sirve para recibir automáticamente la misma emisora cuando se conecta de nuevo la alimentación.

Función de exploración de emisoras preajustadas

Es una función muy útil que permite la monitorización consecutiva de las emisoras preajustadas en los interruptores de emisoras preajustadas (PRESET STATION).

Si se presiona el selector de exploración de emisoras preajustadas (PRESET SCAN) durante la recepción de una emisora, el indicador de exploración se iluminará y se sintonizarán automáticamente las emisoras preajustadas a intervalos de 4 segundos, siguiendo el orden siguiente: (1)→(2)→(3)→... (8)→(1)→(2). En tales casos, los indicadores PRESET STATION se iluminarán secuencialmente.

De este modo, se podrá seleccionar la emisora deseada mientras se monitoriza continuamente el contenido memorizado de emisoras. Cuando se encuentra la emisora que se desea escuchar, presionar de nuevo el interruptor PRESET SCAN para seguir recibiendo tal emisora.

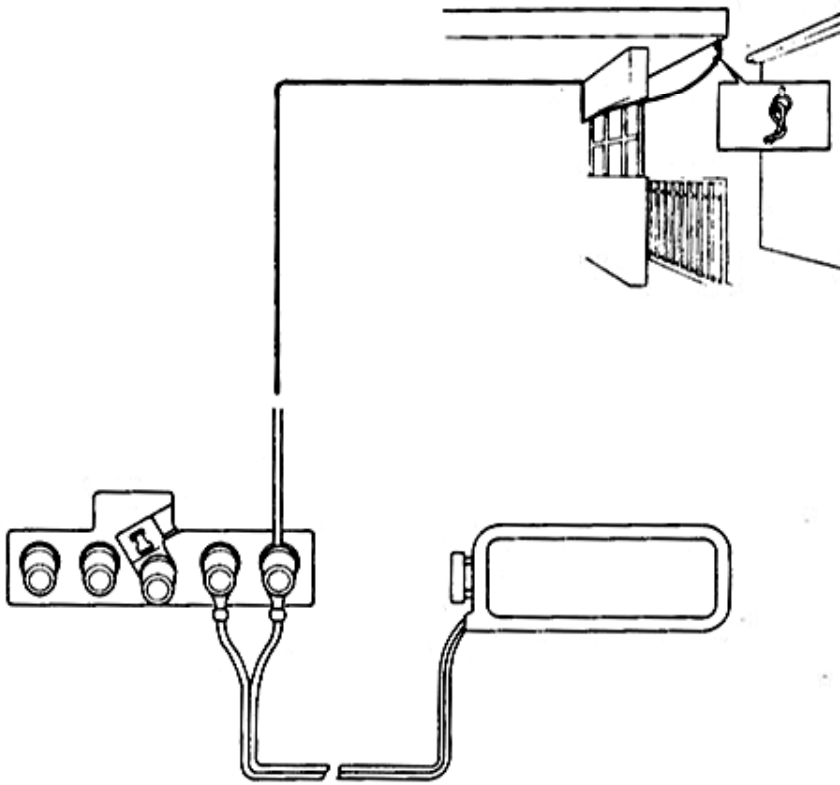
Las emisoras de FM preajustadas se exploran durante la recepción de emisoras de FM, y las emisoras preajustadas de AM durante la recepción de emisoras de AM.

Algunos consejos útiles

Antena exterior de AM

Cuando las señales de una emisora de AM se reciben débilmente, el sonido se mezcla con otras radiodifusiones y se oye ruido. Particularmente, las señales son más débiles en interiores que en exteriores, y el ruido puede también captarse de otros electrodomésticos. En tales casos, proceder del modo siguiente:

1. Mover la antena de cuadro para buscar la posición que ofrezca la mejor recepción posible.
 2. Separar el cable de alimentación y de los altavoces de la antena de cuadro.
 3. Intentar cambiando el lugar de instalación.
Si la recepción no se mejora con estas precauciones, retorcer un conductor recubierto con vinilo junto al conductor de la antena de cuadro y conectar un extremo a los terminales de antena de cuadro de AM (AM LOOP) y extender los otros dos conductores.
- * Mantener la antena de cuadro unida cuando se instale una antena exterior de AM. La recepción de las emisoras de AM no es posible si se extrae la antena de cuadro.



Antena exterior de FM y cable de entrada

Antenas exteriores de FM y la directividad

Deberá instalarse una antena exterior de FM para poder recibir bien las emisoras de FM con el mínimo de ruido. Es particularmente efectiva para recepción de FM en zonas rodeadas de edificios altos o montañosas. Las antenas de FM tienen directividad, que se mejora a medida que se aumentan los elementos de la antena. Puesto que funcionan para recibir las señales de la dirección deseada y no captan con facilidad las señales de otras direcciones, se reduce la distorsión de trayectorias múltiples. La ganancia (sensibilidad) aumenta también en proporción directa al número de elementos, por lo que resulta efectiva para la recepción de largas distancias. Seleccionar el tipo de antena de acuerdo con la distancia de las emisoras difusoras y condiciones de recepción de la zona.

Cables de entrada

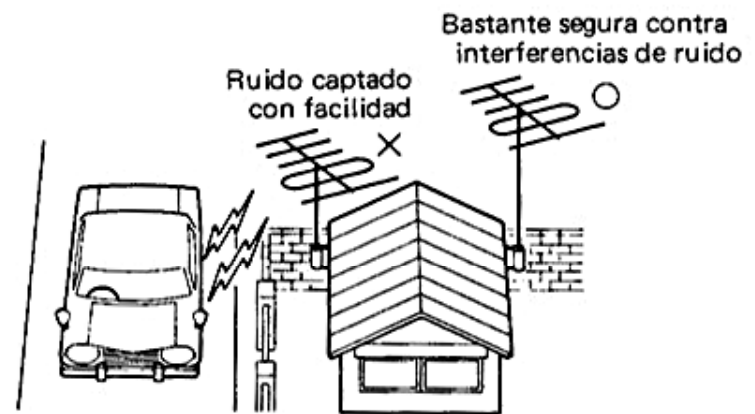
Hay dos tipos de cables de entrada para conectar la antena exterior de FM al sintonizador: Cable bifilar de 300 ohmios y cable coaxial de 75 ohmios.

El cable bifilar de 300 ohmios puede utilizarse con facilidad pero es susceptible a ruidos de interferencia. El cable coaxial de 75 ohmios tiene una construcción que lo hace inmune al ruido de interferencias, y es fuerte y más duradero.

Instalación de la antena de FM

El lugar de instalación de la antena de FM deberá seleccionarse correctamente para poder conseguir una recepción estable de FM. Tener presente los puntos siguientes y buscar la ubicación óptima de la misma.

- * El lugar ideal será uno que sea alto, que pueda recibir directamente las señales de las emisoras de FM y que no quede a la sombra de edificios altos.
- * Instalar la antena alejada de las carreteras para evitar el ruido de ignición de los automóviles. Seleccionar un lugar que esté alejado de los cables eléctricos de alta tensión.
- * Instalar la antena por lo menos a 2 metros de un tejado de metal o de otras antenas.

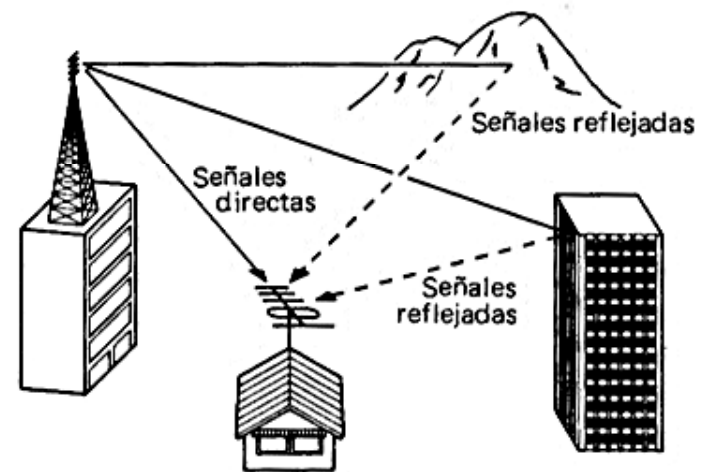


Distorsión de trayectorias múltiples

Al igual que la luz, las señales de FM se desplazan en línea recta y quedan reflejadas por los obstáculos que puedan encontrar en su camino. Esta es la razón de que la antena capte algunas señales que vienen directamente de la antena de transmisión y otras señales que se han reflejado por montañas o edificios. Cuando se captan juntos ambos tipos de señales, su interacción causa distorsión del sonido y degrada la separación estereofónica.

Este fenómeno se denomina "distorsión de trayectorias múltiples" y se parece más bien a las imágenes dobles de las pantallas de TV.

La distorsión de trayectorias múltiples puede reducirse al mínimo seleccionando una antena con buenas características de directividad e instalándola en la dirección correcta.



Dirección de la antena de FM

Seleccionar la dirección que proporcione la mejor recepción posible. Hacerlo mientras se escucha un programa de FM.

Para encontrar la dirección de la antena afectada por la distorsión de trayectorias múltiples, conectar el amplificador y los altavoces, ajustar el control de agudos (TREBLE) del amplificador en su posición mínima, escuchar el sonido recibido a un nivel relativamente alto y poner la antena señalando en la dirección donde mejor se reduzcan el ruido y la distorsión.

Ci complimentiamo con voi per aver scelto Sansui: un raffinato prodotto Hi Fi. Prima di usare l'apparecchio vi consigliamo di leggere attentamente questo libretto di istruzioni affinché vi possiate familiarizzare con ciascuna delle sue innumerevoli caratteristiche. Ciò vi permetterà anche di non causare danni all'apparecchio e vi consentirà di apprezzare a pieno le sue superbe prestazioni.

Precauzioni

* Tenere a mente i punti seguenti.

Spina del cavo d'alimentazione

Per scollegare il cavo d'alimentazione dalla presa di rete prenderlo sempre per la spina e mai per il cavo. Non si deve mai collegare o scollegare la spina con le mani bagnate perché si potrebbe prendere una scossa elettrica.

* Scollegare sempre il cavo d'alimentazione dalla presa di rete se non si intende usare l'apparecchio per un lungo periodo di tempo.

Non si deve togliere via il telaio o il pannello inferiore

Qualsiasi ispezione o regolazione all'interno dell'apparecchio potrebbe causare difetti di funzionamento e scosse. Non si deve toccare alcuna parte interna. La garanzia Sansui non è più valida se lo scadimento delle prestazioni dell'apparecchio è dovuto ad una modifica operata al suo interno.

Precauzioni per l'installazione

L'apparecchio non deve essere installato in uno dei luoghi seguenti perché altrimenti potrebbe prodursi uno scadimento delle sue prestazioni o guasto.

- * Luoghi esposti alla luce diretta del sole o vicino a fonti di calore, come apparecchiature di riscaldamento.
- * Luoghi umidi o soggetti a condensa.
- * Luoghi poco ventilati ed esposti alla polvere e allo sporco.
- * Luoghi instabili e non perfettamente orizzontali, o soggetti a vibrazioni.
- * Sopra un amplificatore di grande potenza d'uscita, componenti audio contenenti tubi o lampade o altri prodotti emananti calore.

Non pulire con solventi

Strofinare di tanto in tanto i pannelli e il mobile con un panno morbido. L'impiego di qualsiasi tipo di solvente, alcol o liquido volatile può rovinare la superficie, causare macchie o cancellare le indicazioni, per cui deve essere assolutamente evitato.

Non spruzzare insetticidi nei pressi dell'apparecchio.

Dati tecnici

Sezione FM

Gamma di frequenza.....	da 88 a 108 MHz
Sensibilità	
MONO IHF.....	10,8 dBf (1,9 μ V : T100)
DIN.....	0,95 μ V
Sensibilità a 50 dB	
MONO.....	16,0 dBf
STEREO.....	36,0 dBf
Rapporto segnale/rumore (65 dBf)	
MONO.....	85 dB
STEREO.....	79 dB
Distorsione armonica total a 65 dBf	
MONO.....	meno dello 0,05% a 1,000 Hz
STEREO.....	meno dello 0,08% a 1,000 Hz
Selettività del canale alternato (a 400 kHz)	
.....	60 dB
Rapporto di cattura.....	1,0 dB
Rapporto di risposta di immagine.....	75 dB
Rapporto di risposta "fugitive".....	90 dB
Separazione stereo.....	40 dB a 100 Hz
	50 dB a 1,000 Hz
	40 dB a 10,000 Hz
Risposta in frequenza	
Stereo.....	30 a 15,000 Hz
	+0,3 dB; -0,8 dB
Impedenza di entrata d'antenna.....	300 ohms compensato
	75 ohms non compensato

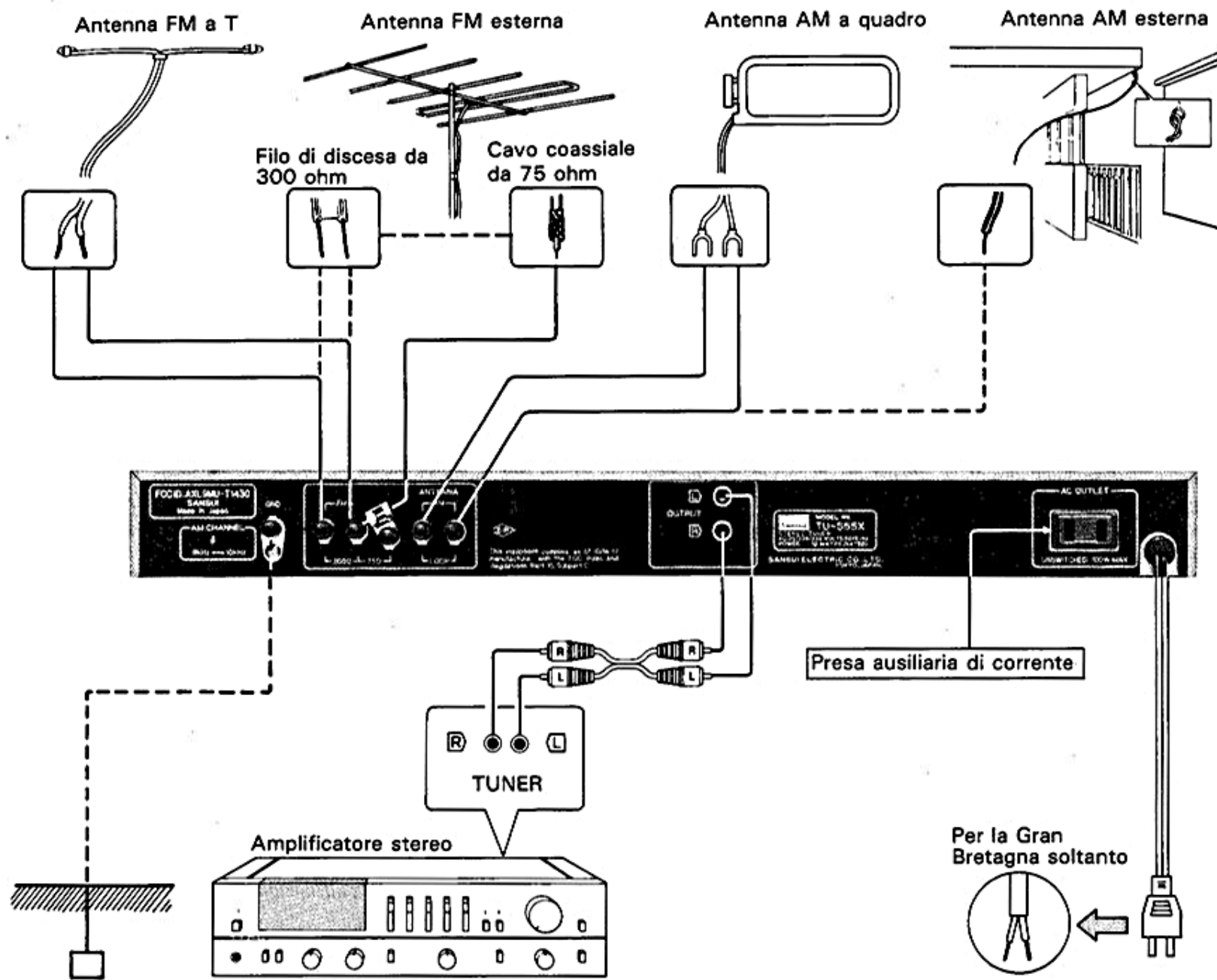
Sezione AM

Gamma di frequenza.....	da 530 a 1,600 kHz
Sensibilità.....	50 dB/m (316 μ V/m)
Rapporto segnale/rumore.....	50 dB
Rapporto reiezione d'immagine.....	45 dB a 1,000 kHz
Altre caratteristiche	
Impedenza e tension d'uscita.....	775 mV/2,2 kohms
Alimentazione.....	120/220/240V
	50/60 Hz
Per U.S.A. e Canada.....	120V (60 Hz)
Consumo.....	12W
Dimensioni.....	430 mm (L)
	51 mm (A)
	261 mm (P)
Peso netto.....	2,8 kg
Peso lordo.....	3,6 kg

- * Formato e specifiche soggetti a modifiche senza avviso a scopo di miglioramento.
- * Per semplificare la spiegazione le illustrazioni potrebbero a volte differire dagli originali.

Collegamenti

• Le spine dei cavi d'alimentazione potrebbero variare a seconda del mercato e delle leggi e regolazioni locali.



Precauzioni per i collegamenti

- Prima di effettuare un collegamento scollegare il cavo d'alimentazione dalla presa di rete o spegnere l'apparecchio disinserendo l'interruttore d'alimentazione.
- Inserire a fondo i connettori. Se il collegamento non è corretto può originare rumore.
- Se il filo di discesa dell'antenna viene a contatto con altre parti o non è collegato bene, potrebbe causare una ricezione scadente o rumore.

Collegamento all'amplificatore stereo

Collegare i terminali d'uscita (OUTPUT) dell'apparecchio ai terminali per sintonizzatore (TUNER) dell'amplificatore mediante il cavo accessorio con connettori pin. Controllare prima il canale destro e sinistro e collegarli correttamente (R a R e L a L). Si consiglia inoltre di collegare il cavo d'alimentazione dell'apparecchio alla presa ausiliaria di corrente asservita (SWITCHED) dell'amplificatore.

Per la Gran Bretagna soltanto

Importante

I fili di questo cavo d'alimentazione sono colorati secondo il codice seguente:

Blu: Neutro
Marrone: Sotto tensione

Se il colore dei fili del cavo d'alimentazione di questa attrezzatura non corrispondono alle indicazioni colorate dei terminali della spina, procedere nel modo seguente.

Il filo colorato in **blu** deve essere collegato al terminale segnato con la lettera "N" o colorato in nero.

Il filo colorato in **marrone** deve essere collegato al terminale segnato con la lettera "L" o colorato in rosso.

Controllare che l'attrezzatura sia collegata correttamente. In caso di dubbio rivolgersi ad un elettricista specializzato. Per l'attrezza-

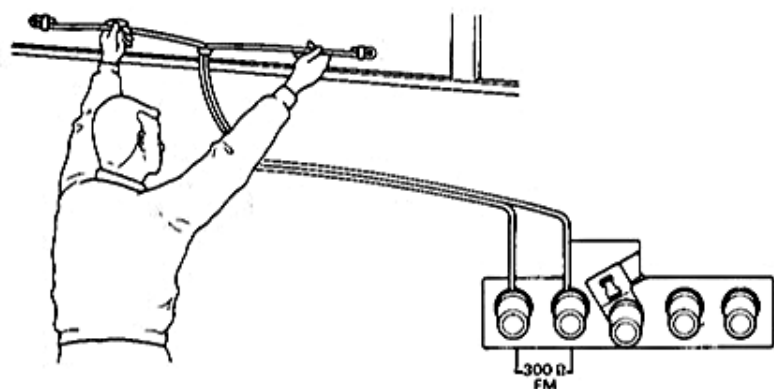
tura acquistata in un paese diverso dalla Gran Bretagna con una spina a due contatti "EUROPEA" questa deve essere tolta ed il collegamento effettuato secondo le istruzioni Precedenti. Controllare anche che l'attrezzatura sia regolta correttamente per il funzionamento con la tensione di 240V. In caso di dubbio rivolgersi ad un elettricista specializzato o al nostro concessionario locale.

Collegamento dell'antenna FM

Per una buona ricezione FM con rumore minimo installare una buona antenna FM esterna. L'antenna a T viene fornita quale rimedio temporaneo per la ricezione FM in attesa d'installare l'antenna FM esterna.

Collegamento dell'antenna a T

Collegare l'antenna ai terminali d'antenna FM de 300 ohm, stendere le due estremità a forma di T, trovare la direzione che permette la ricezione migliore e fissare l'antenna al soffitto o alla parete. Sistemarla il più alto possibile. Se si sistema l'antenna in una posizione bassa o dove si passa continuamente la ricezione diventa instabile.



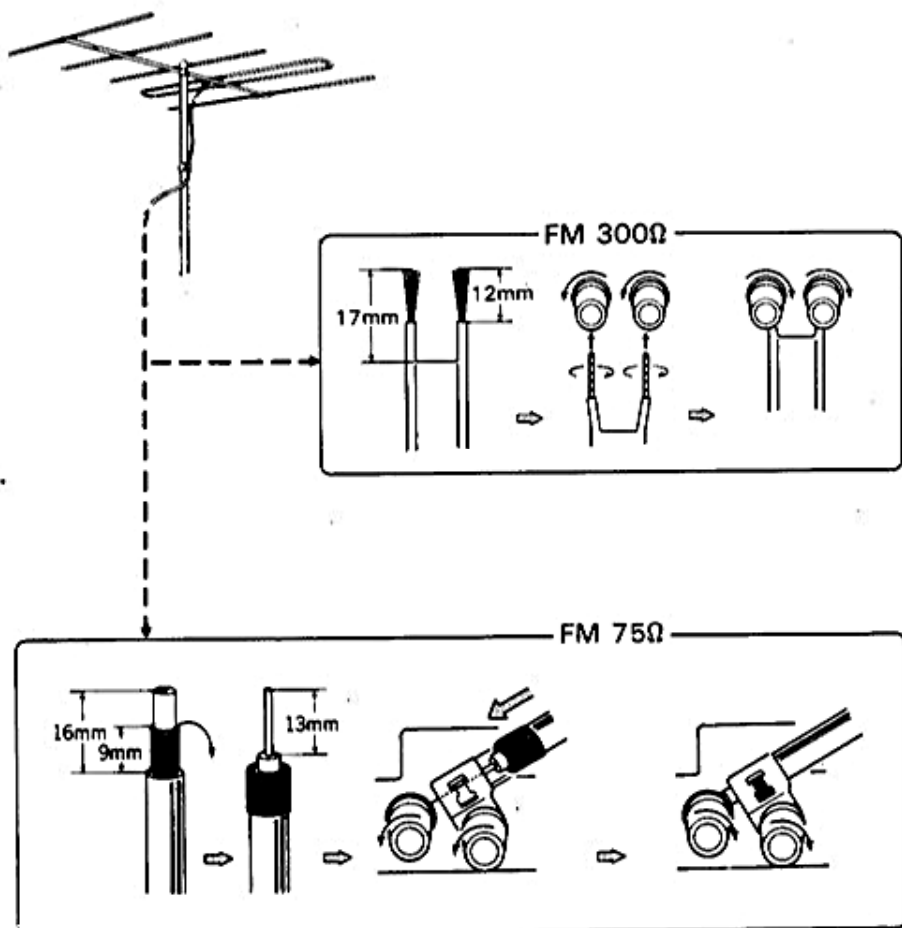
- * Staccare l'antenna a T quando si è collegata l'antenna FM esterna.

Collegamento dell'antenna FM esterna

Ci sono due modi di collegamento del sintonizzatore all'antenna esterna: il cavo coassiale de 75 ohm e il filo di discesa de 300 ohm.

Collegamento del cavo coassiale da 75 ohm: scoprire e dare forma alle estremità del cavo coassiale, come mostrato in figura, e collegarle ai terminali d'antenna FM da 75 ohm.

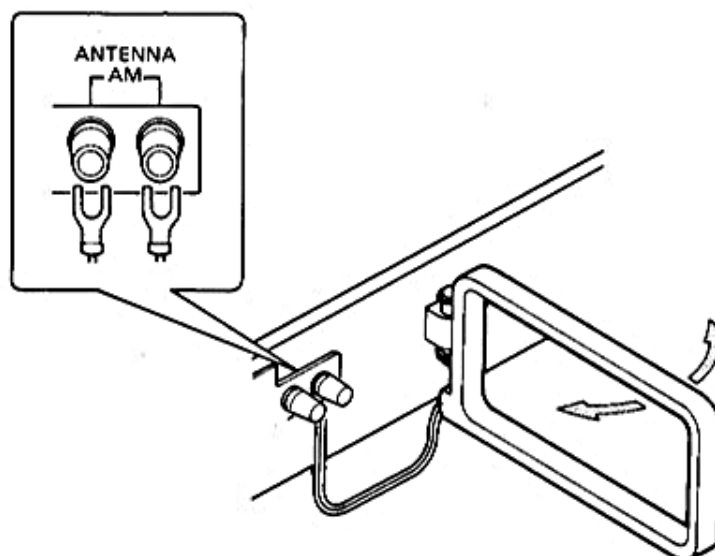
Collegamento del filo di discesa da 300 ohm: Scoprire e dar forma alle estremità del filo di discesa, come mostrato in figura, e collegarle ai terminali d'antenna FM da 300 ohm.



- * Tener lontano il filo di discesa dai cavi d'alimentazione e luci. L'eccesso di filo di discesa deve essere tagliato via e non invece ripiegato.

Collegamento dell'antenna AM a quadro

Collegare il cavo dell'antenna AM a quadro accessoria ai terminali AM LOOP ANTENNA del pannello posteriore dell'apparecchio e attaccare l'antenna al supporto d'antenna, come mostrato in figura. Spostare l'antenna per trovare la posizione di ricezione migliore.



- * La ricezione AM non è possibile con l'antenna a quadro scollegata. Anche se si usa un'antenna AM esterna mantenere collegata l'antenna a quadro.
- * Non si deve avvicinare il cavo d'alimentazione o quelli dei diffusori all'antenna a quadro perché altrimenti si genera rumore.
- * La ricezione potrebbe essere instabile se si installa l'antenna AM a quadro troppo vicina ad una parete. Installarla perciò un po' discosta dalla parete.

Intervalli di frequenza del canale AM

I programmi AM sono trasmessi, a seconda delle aree di trasmissione di alcune parti del mondo, a intervalli di frequenza diversi del canale delle stazioni. Nell'America del Nord, Centrale e del Sud questo canale è di 10 kHz, mentre nel resto del mondo esso è di 9 kHz.

Questo apparecchio è un sintonizzatore sintetizzato che varia la frequenza di ricezione sia del canale 9 kHz sia di quello 10 kHz (intervallo di frequenza) durante la ricezione. Se si usa l'apparecchio in un'area con intervallo di frequenza diverso, potrebbe non essere possibile ricevere le stazioni AM. Questo apparecchio è stato regolato per il canale di ricezione della zona di destinazione. Nel caso in cui esso venga usato in un'area ad intervallo diverso di frequenza la sua regolazione deve essere cambiata.

1. Scollegare il cavo d'alimentazione dell'apparecchio.
 2. Mettere il selettore del canale AM (AM CHANNEL) situato sul pannello posteriore dell'apparecchio sulla posizione corretta.
- * Consultare il rivenditore o un Concessionario Sansui autorizzato nel caso che l'apparecchio non abbia il selettore del canale AM.

NOTA: A seconda del mercato, l'apparecchio può essere dotato o meno del selettore del canale AM.

Presca ausiliaria di corrente

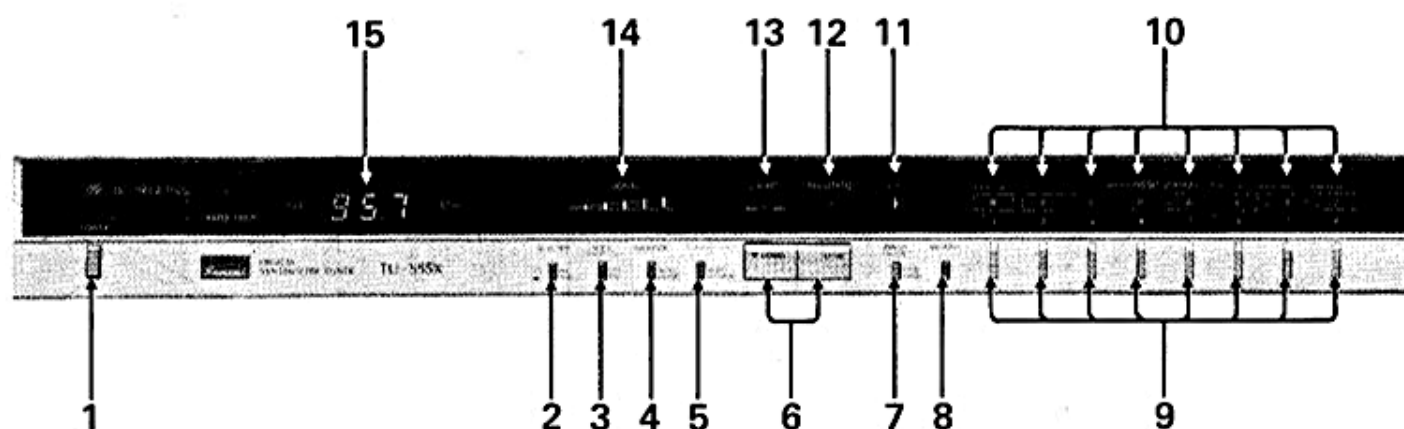
Collegando il cavo d'alimentazione alla presa di rete si alimenta la corrente alla presa ausiliaria di corrente del pannello posteriore.

- * La capacità massima di questa presa è di 100 watt. E' estremamente pericoloso collegarvi una apparecchiatura elettrica con un assorbimento di corrente superiore a quello indicato. controllare sempre l'assorbimento di corrente dell'apparecchiatura che si intende usare prima di collegarla.

NOTA: Su alcuni modelli queste prese CA non sono previste in base alle norme di sicurezza previste in alcuni paesi.

Indicazioni sul pannello

* Le fotografie e illustrazioni mostrano un modello in versione argento.



1 Interruttore d'alimentazione (POWER)

Premere questo interruttore per accendere l'apparecchio e premerlo di nuovo per spegnerlo.

2 Selettore di banda (SELECTOR)

Serve a selezionare la banda FM o AM. La posizione rilasciata FM è per la ricezione a modulazione di frequenza e quella inserita AM per la ricezione a modulazione d'ampiezza.

3 Interruttore di soppressione del rumore (NOISE CANCELER)

Quando si sintonizza una trasmissione in FM stereofonica, la ricezione potrebbe essere disturbata dal rumore delle alte frequenze. Inserire allora questo interruttore in posizione ON per ridurre notevolmente il rumore. Ciò, però, potrebbe influire leggermente sulla selettività del canale destro e sinistro. Se il rumore non è fastidioso lasciare l'interruttore in posizione OFF.

* Questo interruttore non funziona con le trasmissioni in AM e FM monofoniche.

4 Interruttore di modo FM (FM MODE)

Questo interruttore serve a commutare tra il modo di ricezione FM stereofonico e monofonico e tra l'attivazione e l'esclusione (ON/OFF) del circuito silenziatore di FM.

L'interruttore va normalmente lasciato sulla posizione "AUTO". In questa posizione le trasmissioni FM si sentono stereofonicamente e le trasmissioni FM mono monofonicamente. Inoltre, il circuito silenziatore si attiva per sopprimere il fastidioso rumore interstazionale e rendere piacevole la manovra di sintonizzazione.

Inserire l'interruttore sulla posizione "MONO" per ascoltare monofonicamente una trasmissione stereo o ricevendo una trasmissione FM con segnali deboli che vengono soppressi col rumore dal circuito silenziatore.

5 Interruttore del modo di sintonia (TUNING)

Serve a selezionare il modo di sintonizzazione delle stazioni. Metterlo sulla posizione AUTO per la sintonia automatica e su quella MANUAL per la sintonia manuale e la ricezione delle stazioni deboli.

6 Tasti di sintonia (TUNING)

Le frequenze delle stazioni si sintonizzano premendo questi tasti. A seconda della posizione dell'interruttore del modo di sintonia, le stazioni possono essere ricevute nel modo automatico o manuale.

Sintonia automatica: Se l'interruttore del modo di sintonia si trova sulla posizione AUTO, la sintonizzazione è automatica.

Quando si preme il tasto UP, la frequenza di ricezione aumenta; quando si preme il tasto DOWN essa diminuisce. La sintonizzazione automatica comincia quando si preme il tasto e si arresta non appena si riceve una stazione.

Sintonia manuale: Se l'interruttore del modo di sintonia si trova sulla posizione MANUAL, la sintonizzazione è manuale. Ogni volta che si preme il tasto UP, la frequenza di ricezione aumenta di 100 kHz per l'FM e 10 kHz o 9 kHz (selezionati a seconda del mercato) per l'AM. La frequenza di ricezione aumenta quando si mantiene continuamente premuto il tasto e si arresta quando si toglie il dito dal tasto. La frequenza di ricezione si riduce allo stesso modo premendo il tasto DOWN.

7 Tasto di esplorazione della preselezione (PRESET SCAN)

Controlla di seguito le stazioni preselezionate nei tasti di preselezione delle stazioni (PRESET STATION) (1) ~ (8).

Quando lo si preme, esso richiama le stazioni preselezionate nei tasti, ciascuna a 4 secondi d'intervallo, nella sequenza (1)→(2)→(3)→... (8)→(1)→(2), permettendo così di controllare i programmi della radio. Quando lo si preme di nuovo, la funzione d'esplorazione della preselezione si rilascia e si arresta alla stazione che si stava controllando per ultima.

8 Interruttore di memoria (MEMORY)

Se si desidera preselezionare in uno dei tasti di preselezione la stazione che si sta ascoltando, premere il tasto di preselezione delle stazioni (PRESET STATION) mantenendo allo stesso tempo premuto l'interruttore di memoria (MEMORY) e la stazione viene memorizzata. Quando si preme questo interruttore nel visualizzatore della frequenza (FREQUENCY) appare l'indicatore (MEMORY).

9 Tasti di preselezione delle stazioni (PRESET STATION)

Con ciascuno di questi tasti è possibile memorizzare (preselezionare) una stazione AM e una FM (selezionata col selettore di banda). Una volta preselezionata una stazione, per richiamarla basta semplicemente premere il tasto di preselezione delle stazioni corrispondente ad essa.

10 Indicatori dei tasti di preselezione delle stazioni (PRESET STATION)

L'indicatore corrispondente al tasto di preselezione delle stazioni si accende durante l'operazione di esplorazione della preselezione o quando si sintonizza una stazione premendo un tasto di preselezione delle stazioni (PRESET STATION).

11 Indicatore di esplorazione (SCAN)

Si accende durante l'operazione di esplorazione della preselezione.

12 Spia di stereofonia FM (FM STEREO)

Quando l'interruttore di modo FM si trova sulla posizione "AUTO" e si sintonizza una stazione FM, questa spia si accende per indicare che la trasmissione è ricevuta in stereo.

Se l'interruttore di modo FM si trova sulla posizione "MONO", la spia non si accende anche il programma viene trasmesso stereofonicamente.

13 Indicatore d'aggancio (LOCKED)

Quando si sintonizza una stazione, questo indicatore si accende e aggancia la stazione quando la sua frequenza è sintonizzata al suo punto ottimale. Ciò permette la ricezione migliore. Questo indicatore, però, non si accende se il segnale della stazione è debole e l'ingresso dall'antenna insufficiente.

14 Indicatore del segnale (SIGNAL)

Quando si sintonizza una stazione questo indicatore si accende per indicare l'intensità del segnale captato dall'antenna.

15 Visualizzatore della frequenza (FREQUENCY)

La frequenza di ricezione è indicata da questo visualizzatore digitale. Le trasmissioni in FM sono indicate in unità MHz e quelle in AM in unità kHz.

Procedure per il funzionamento

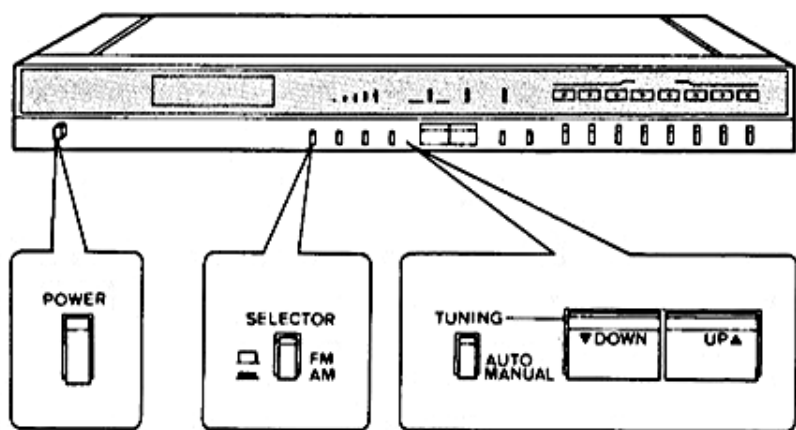
Operazioni fondamentali

1. Premere il tasto d'alimentazione per accendere l'apparecchio.
2. Selezionare la banda (FM o AM) mediante il selettore di banda. Rilasciare questo selettore sulla posizione FM per la ricezione FM e inserirlo sulla posizione AM per la ricezione AM.
3. Premere il tasto di sintonia per sintonizzarsi sulla stazione.

Sintonia automatica: Mettere l'interruttore del modo di sintonia (TUNING) sulla posizione AUTO. La sintonizzazione comincia automaticamente quando si preme il tasto UP o DOWN e si arresta automaticamente alla ricezione di una stazione. Se essa non è quella desiderata, premere di nuovo il tasto per continuare la sintonizzazione. Ripetere il procedimento finché non si trova la stazione desiderata.

Sintonia manuale: Le stazioni dal segnale debole non possono essere sintonizzate automaticamente. In tal caso, effettuare la sintonizzazione manualmente. Mettere l'interruttore del modo di sintonia (TUNING) sulla posizione MANUAL. Premere continuamente il tasto UP o DOWN guardando la frequenza di ricezione indicata dal visualizzatore della frequenza (FREQUENCY) e sintonizzarsi sulla frequenza esatta premendo il tasto una volta quando la stazione desiderata è vicina.

4. Regolare il volume e la qualità tonale mediante i controlli dell'amplificatore stereo.

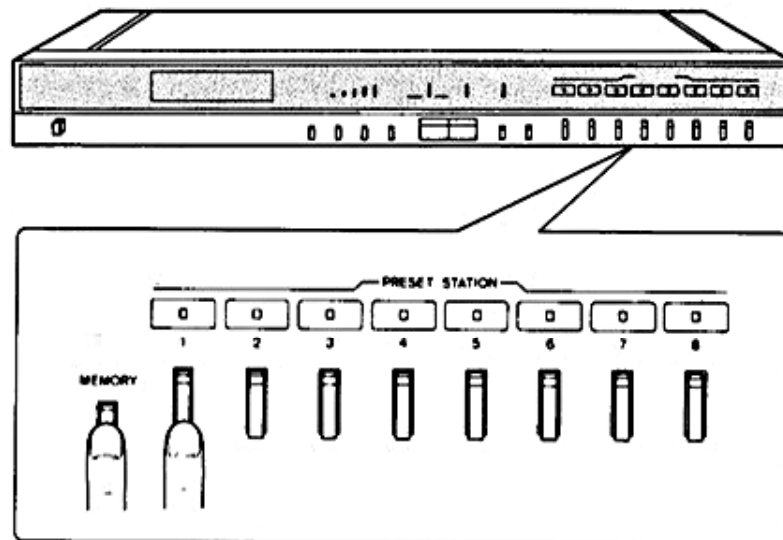


- * L'indicatore FM STEREO si accende alla sintonizzazione di una trasmissione in FM stereofonica.
- * Quando si sintonizza una stazione, l'indicatore del segnale (SIGNAL) si accende e indica l'intensità del segnale. L'indicatore di aggancio (LOCKED) si accende per indicare che la stazione è agganciata. Esso, però, non si accende con le stazioni dal segnale debole.
- * La sintonia automatica non si arresta finché non si sintonizza una stazione. Per interrompere l'operazione premere l'interruttore del modo di sintonia (TUNING).
- * Se si mette l'interruttore di modo FM sulla posizione "AUTO" mentre si riceve una stazione FM dal segnale debole, si potrebbe non sentire più il suono per l'attivazione del circuito silenziatore di FM. In tal caso, premere l'interruttore di modo FM in posizione "MONO" e ascoltare il programma monofonicamente.

Preselezione delle stazioni

Se si preseleziona precedentemente la frequenza delle stazioni mediante i tasti di preselezione delle stazioni è possibile richiamare le stazioni desiderate premendone semplicemente i tasti corrispondenti.

1. Sintonizzarsi sulla stazione da preselezionare col procedimento dei punti da 1. a 3. del paragrafo "Operazioni fondamentali".
2. Quando si preme uno dei tasti di preselezione delle stazioni mentre il tasto di memoria è inserito, l'indicatore PRESET STATION sopra il tasto si accende e la stazione viene preselezionata. Ciò completa l'operazione.



- * Se si preseleziona una stazione diversa in uno dei tasti di preselezione che contiene già una frequenza, la stazione precedentemente selezionata si cancella.
- * Ogni tasto di preselezione delle stazioni può preselezionare una stazione AM e una FM. Selezionare la banda AM o FM mediante il selettore di banda.
- * Le stazioni preselezionate non si cancellano quando si spegne l'apparecchio.
- * Questo apparecchio è dotato della funzione di memoria dell'ultima stazione che mantiene la stazione sintonizzata al momento dello spegnimento dell'apparecchio. Questa funzione serve alla ricezione automatica della stessa stazione quando si riaccende l'apparecchio.

Funzione di esplorazione della preselezione

Questa funzione molto comoda permette di controllare di seguito i programmi delle stazioni preselezionate nei tasti di preselezione delle stazioni. Se si preme l'interruttore di esplorazione (SCAN) durante la ricezione di una trasmissione, l'indicatore d'esplorazione si accende e le stazioni preselezionate vengono ricevute automaticamente ad intervalli di 4 secondi nella sequenza (1)→(2)→(3)→... (8)→(1)→(2). In questo caso, gli indicatori dei tasti di preselezione delle stazioni si accendono successivamente.

E' così possibile selezionare la stazione desiderata controllando i programmi di tutte le stazioni. Quando si trova il programma che si desidera ascoltare, premere di nuovo l'interruttore di esplorazione della preselezione (PRESET SCAN). L'esplorazione delle stazioni FM preselezionate avviene durante la ricezione delle trasmissioni in FM e quella delle stazioni AM durante la ricezione delle trasmissioni in AM.

Qualche consiglio utile

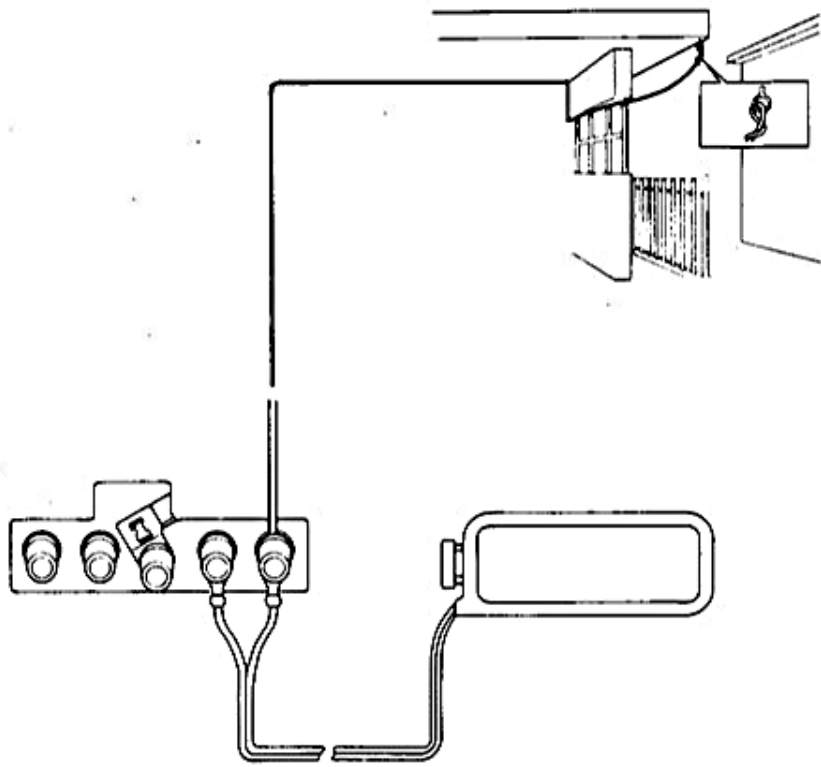
Antenna AM esterna

Se i segnali della stazione AM che si riceve sono deboli, il suono è disturbato da altre stazioni e si sente rumore. Inoltre, i segnali sono più deboli all'interno che all'esterno, e si può captare rumore anche da altre apparecchiature elettriche. In tal caso, procedere nel modo seguente:

1. Spostare l'antenna a quadro per trovare la posizione che permette la ricezione migliore.
2. Allontanare il cavo d'alimentazione e i cavi dei diffusori dall'antenna a quadro.
3. Cercare di cambiare il posto di sistemazione.

Se anche così la ricezione non migliora, attorcigliare insieme un filo elettrico rivestito in vinile e il cavo dell'antenna a quadro e collegare una estremità ai terminali d'antenna AM a quadro ed estendere l'altra estremità all'esterno.

- * Lasciare l'antenna attaccata anche se si installa un'antenna AM esterna. La ricezione delle stazioni AM non è possibile con l'antenna a quadro staccata.



Antenna FM esterna e filo di discesa

Antenna FM esterna e sua direttività

Per una ricezione FM di buona qualità con rumore minimo è necessario installare un'antenna FM esterna. Essa è particolarmente efficace per la ricezione FM nelle aree circondate da alti edifici o montagne.

L'antenna FM ha una direttività con una nitidezza che aumenta con l'aumento del numero di elementi. Poiché la sua funzione è di ricevere i segnali provenienti da una direzione desiderata e non riceve facilmente i segnali provenienti da altre direzioni, la distorsione da percorso multiplo risulta ridotta. Anche il guadagno (sensibilità) aumenta in proporzione diretta al numero d'elementi, ciò che è un fattore per la ricezione delle stazioni lontane. Scegliere l'antenna in base alla lontananza delle stazioni e alle condizioni di ricezione dell'area d'uso.

Filo di discesa

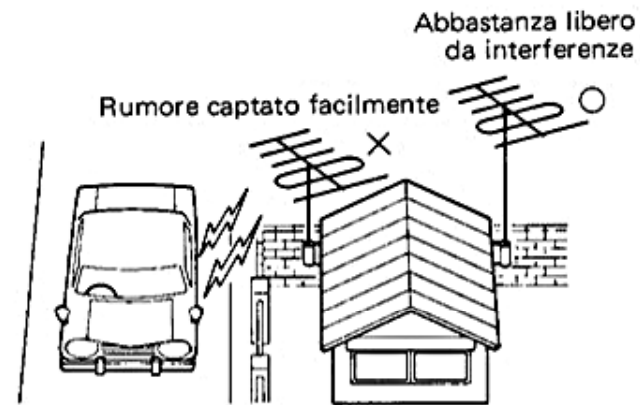
Ci sono due tipi di fili di discesa per il collegamento dell'antenna FM esterna al sintonizzatore: il filo di discesa a piattina da 300 ohm e il cavo coassiale da 75 ohm.

La piattina da 300 ohm è di facile uso ma è suscettibile al rumore esterno. Il cavo coassiale da 75 ohm ha una struttura che lo rende immune al rumore esterno, è robusto e resistente al tempo.

Installazione dell'antenna FM

Per una ricezione FM stabile bisogna scegliere con cura il posto d'installazione dell'antenna FM. Tenere a mente i punti seguenti per trovare il posto migliore.

- * La posizione ideale è una alta che può ricevere direttamente i segnali delle stazioni FM e senza edifici sovrastanti.
- * Installare l'antenna lontana dalla strada per evitare di captare il rumore d'accensione delle automobili. Scegliere una posizione lontana dai fili dell'alta tensione.
- * Installare l'antenna come minimo ad una distanza di 2 metri da un tetto metallico e da altre antenna.

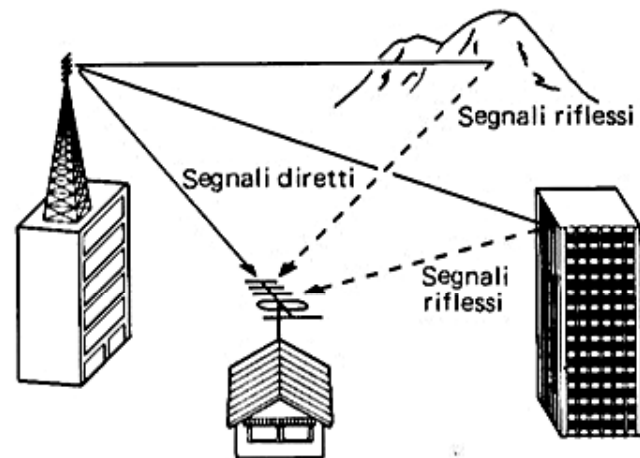


Distorsione da percorso multiplo

I segnali FM si muovono, come la luce, in linea retta e sono riflessi da ostacoli sul loro percorso. E' questa la ragione per cui l'antenna capta alcuni segnali provenienti direttamente dall'antenna trasmittente ed altri riflessi da montagne o edifici. Quando vengono captati entrambi questi tipi di segnali, essi interferiscono scambievolmente in modo da causare la distorsione del suono e comprometterne la separazione.

Questo fenomeno è noto come "distorsione da percorso multiplo" ed è come i fantasmi del televisore.

La distorsione da percorso multiplo può essere minimizzata selezionando un'antenna altamente direzionale e installandola nella direzione corretta.



Direzione dell'antenna FM

Scegliere la direzione che permette la ricezione migliore. Ciò deve essere fatto ascoltando un programma FM.

Per trovare la direzione meno influenzata dalla distorsione da percorso multiplo collegare l'amplificatore e i diffusori, mettere il controllo degli alti dell'amplificatore al massimo, ascoltare il suono ricevuto ad un livello relativamente alto e puntare l'antenna nella direzione in cui il rumore di fondo, il ronzio e la distorsione sono ridotti.



SANSUI ELECTRIC CO., LTD.

14-1 Izumi 2-Chome, Suginami-ku, TOKYO 168, JAPAN

Printed in Japan (23M1) <46526000>